

# GWH-635-ESO Outdoor Model

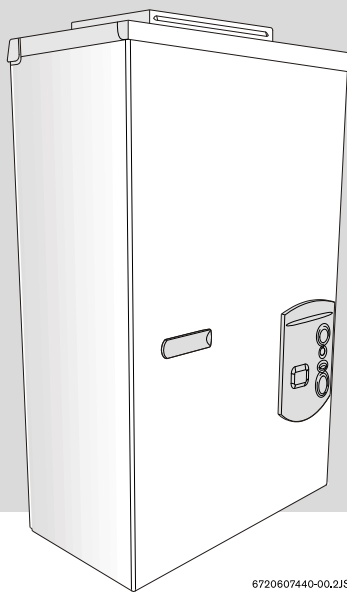


For exterior use only

Electronic Ignition and built in Freeze protection

Suitable for heating potable water only - Not approved for space heating purposes

**PRO TANKLESS™**  
— by —  
**BOSCH**



6720607440-00,2JS



## GWH-635-ESO-N - Natural Gas

## GWH-635-ESO-L - Liquefied Petroleum (LP) Gas

**Warning:** If the information in this manual is not followed exactly, a fire or explosion may result causing property damage, personal injury or death. Do not store or use gasoline or other flammable vapor and liquids in the vicinity of this or any other appliance.

Improper installation, adjustment, alteration, service or maintenance can cause injury or property damage. Refer to this manual. For assistance or additional information consult a qualified installer, service agency or the gas supplier.

In the Commonwealth of Massachusetts this product must be installed by a licensed plumber or gas fitter.

Upon completion of the installation, these instructions should be handed to the user of the appliance for future reference.

### What to do if you smell gas

- Close gas valve.
- Do not try to light any appliance.
- Do not touch any electrical switch; do not use any phone in your building.
- If you cannot reach your gas supplier, call the fire department.
- Immediately call your gas supplier from a neighbor's phone. Follow the gas supplier's instructions.
- Installation and service must be performed by a qualified installer, service agency or the gas supplier.

6 720 607 437 US (05.12) AL



# Index

<b>1</b>	<b>Warning</b>	<b>2</b>
<b>2</b>	<b>Appliance details</b>	<b>4</b>
2.1	Features	4
2.2	GWH-635-ESO Specifications (Technical data)	4
2.3	Dimensions and Minimum installation clearances	6
2.4	General rules to follow for safe operation	7
2.5	Proper location for installing your heater	7
2.6	Heater Placement and Clearances	8
2.7	Mounting installation	8
2.8	Gas piping & connections	10
2.9	Measuring gas pressure	12
2.9.1	Connecting Manometer	12
2.9.2	Static Pressure Test	12
2.9.3	Operating Pressure Test	12
2.10	Water connections	13
2.11	Electrical connections	14
2.12	Operating instructions	14
2.13	For your safety read before operating your water heater	15
2.14	Lighting and operating instructions	15
<b>3</b>	<b>Operation instructions</b>	<b>16</b>
3.1	Power	16
3.2	Temperature selection	16
3.3	Use of remote control accessory	18
3.4	Operation	18
3.5	Reset button	18
3.6	Program button	18
3.7	Locked condition	18
<b>4</b>	<b>Maintenance and service</b>	<b>19</b>
<b>5</b>	<b>Troubleshooting</b>	<b>19</b>
<b>6</b>	<b>Electrical diagram</b>	<b>22</b>
<b>7</b>	<b>GWH-635-ESO Functional scheme</b>	<b>23</b>
<b>8</b>	<b>Interior components diagram and parts list</b>	<b>24</b>
8.1	Interior components	24
8.2	Components diagram	25
8.3	Parts list	26
<b>9</b>	<b>Special adjustment for measuring and adjusting CO2 levels</b>	<b>27</b>
<b>10</b>	<b>Protecting the environment</b>	<b>29</b>
<b>11</b>	<b>Fifteen Year Limited Warranty</b>	<b>30</b>

## 1 Warning



**Warning:** If the information in this manual is not followed exactly, a fire or explosion may result causing property damage, personal injury or death.



**Warning:** Improper installation, adjustment, alteration, service or maintenance can cause injury or property damage. Refer to this manual. For assistance or additional information consult a qualified installer, service agency or the gas supplier. Upon completion of the installation, these instructions should be handed to the user of the appliance for future reference.

### Featuring

Electronic Ignition and Power Venting

### For your safety

Do not store or use gasoline or other flammable, combustible or corrosive vapors and liquids in the vicinity of this or any other appliance.



**Warning:** Carefully plan where you install the heater. If a gas appliance is not installed correctly, fatal accidents can result from lack of air, carbon monoxide poisoning or fire.



**Warning:** Place the heater in a location where water leaks will do NO DAMAGE to adjacent areas.



**Warning:** Field wiring connections and electrical grounding must comply with local codes, or in the absence of local codes, with the latest edition of the National Electric Code, ANSI/NFPA 70, or in Canada, all electrical wiring must comply with the local codes and the Canadian Electrical Code, CSA C22.1 Part 1.



**Warning:** Shock hazard line voltage is present. Before servicing the water heater, turn off the electrical power to the water heater at the main disconnect or circuit breaker. Failure to do so could result in severe personal injury or death.

**What to do if you smell gas**

- Close gas valve.
- Do not try to light any appliance.
- Do not touch any electrical switch; do not use any phone in your building.
- Immediately call your gas supplier from a neighbor's phone. Follow the gas supplier's instructions.
- If you cannot reach your gas supplier, call the fire department.
- Installation and service must be performed by a qualified installer, service agency or the gas supplier.

**Warning:** The heater must be disconnected from the gas supply piping system during any pressure testing of that system at test pressures equal to or more than 0.5 psig.

**FCC:**  
 This device complies with Part 15 of the FCC rules. Operation is subject to the following two conditions: (1) This device may not cause harmful interference, and (2) this device must accept any interference received, including interference that may cause undesired operation.

**Caution:** Any changes or modifications not expressly approved by the party responsible for compliance could void the user's authority to operate the equipment.

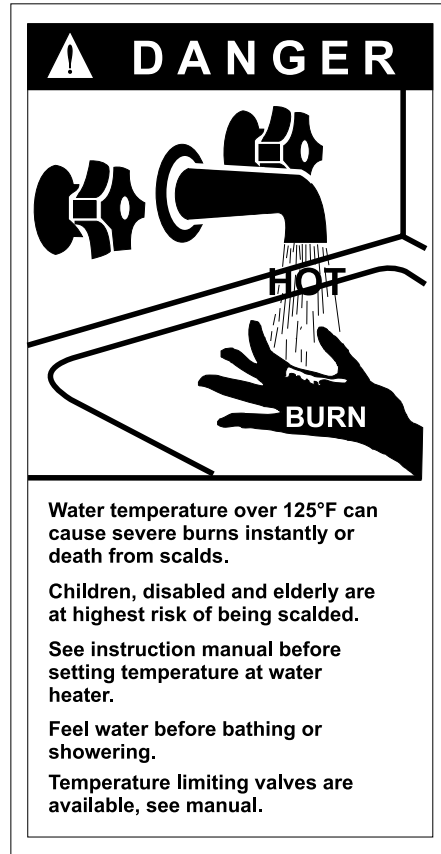


Fig. 1

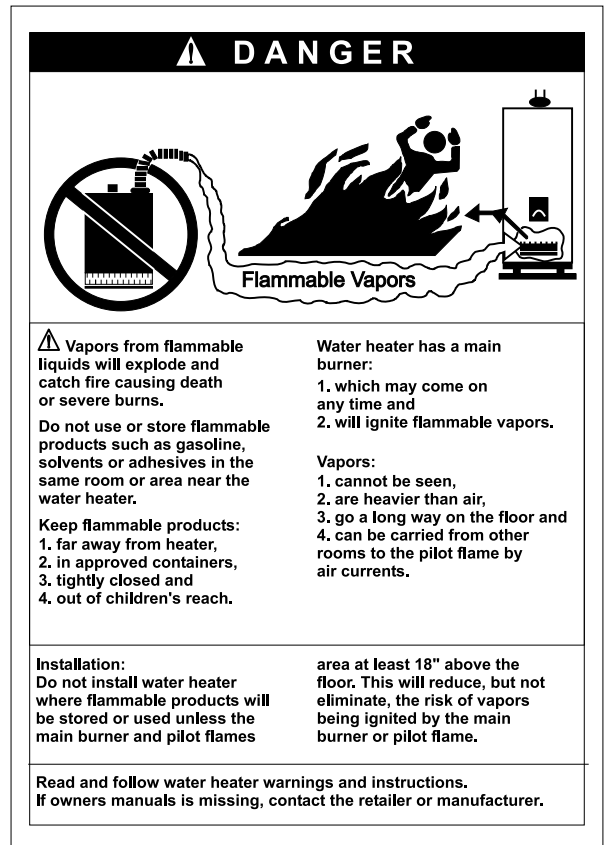


Fig. 2

## 2 Appliance details

### 2.1 Features

#### Parts

- Touch Pad interface control
- High power pre-mix compact burner with low NOx emissions
- Modulating Gas Valve with constant gas:air ratio control
- Modulating water valve for improved comfort and temperature control
- Freeze protection.

#### Safety

- Flame sensor (ionization) rod
- Overheat sensor
- Temperature limiter
- Fan speed monitoring.

#### High Quality Materials for Long Working Life

- Copper heat exchanger
- High efficiency Ceramat Burner
- Compact space saver: mounts on a wall with a supplied bracket.
- Easily removable two-piece cover.

#### Features

- Electronic Ignition
- LCD Display
- On/Off and Temperature control switches
- Reset button
- Program Key (Selectable temperature default)
- Failure codes for easy diagnostic and repair.

#### Accessories

- Optional wireless remote control accessory to operate with the appliance.



BOSCH is constantly improving its products, therefore specifications are subject to change without prior notice.

---

### 2.2 GWH-635-ESO Specifications (Technical data)

Approved in US/Canada

#### Capacity

Maximum flow rate: 6.35 GPM (24 l/min) at a 45°F (25°C) rise.

#### Maximum output

142,968 Btu/h (41.8 kW)

#### Maximum input

175,000 Btu/h (51.2 kW)

#### Efficiency in %

Recovery efficiency 86.5%

#### Min. Output

31,131 Btu/h (9.1 kW)

#### Temperature Control

Selection range: 100°F (38°C) - 140°F (60°C)

Default temperature: 122°F (50°C)

Stability: +/- 2°F (+/- 1°C)

#### Gas Requirement

Gas connection (inches) - 3/4"

Inlet gas pressure under maximum operation\*

- Propane: 11" - 14" water column
- Natural Gas: 5" - 14" water column.

\* To measure Gas Pressure, see Measuring Gas Pressure, chapter 2.9.

#### Water

- Hot water connection (inches) - 3/4"
- Cold water connection (inches) - 3/4"
- Water valve material: Polymer (PPS) (Polypropylene Sulfid)
- Minimum water flow: 0.8 gallon/minute (3 l/m)
- Minimum recommended water pressure: 30 PSI (2.07 bar)
- Connections:
  - Bottom of heater

**Combustion**

- $\text{NO}_x \leq 55$  ppm
- $\text{CO} \leq 250$  ppm.

**Dimensions**

- Depth (in): 8 1/2" (220 mm)
- Width (in): 15 3/4" (400 mm)
- Height (in): 26" (650 mm)
- Weight: 47 pounds (21 kg).

**Gas types**

Natural Gas.

LP Gas.

$\text{CO}_2$  analyzer is required to convert from one gas type to another. Please contact BBTNA for specific instructions.

**Voltage**

120 V AC (50/60 Hz)

**Amperage**

IDLE - 40 mA

Operation -  $\leq 2,5$  A

**Noise**

$\leq 50$  db (A)

**Safety devices**

- Flame failure device (ionization flame rod sensor)
- Pressure relief valve (supplied with heater)
- Over heat prevention (temperature limiter).

**Water resistant**

IP X5 (protection against water drops).

**UNPACKING THE GWH-635-ESO HEATER**

This heater is packed securely.

The box includes:

- Control panel shield
- Pressure relief valve
- Bracket for wall hanging the heater
- Plastic decal shields for covering front cover screws and control panel, installer should affix these decals to the front of the unit after installation is complete. See Fig. 6.
- Installation manual
- Product registration card.

**Do not lose this manual.** Please complete and return the enclosed product registration card.

**Before installing the unit, be certain you have the correct heater for your type of Gas - Propane or Natural Gas.** Identification labels are found on the shipping box, and on the rating plate which is located on the right side panel of the cover.

**The GWH-635-ESO is not approved or designed for:**

- Manufactured (mobile) homes, RV's or boats
- Heating or other recirculating/pumping applications\*
- Solar/preheat backup or high temperature booster use

\* This includes domestic hot water circulator pump loop systems that may previously exist in a home hot water system. The use of a small electric mini-tank (4-6 gallon size) should be used for this application; when designed so the pump will circulate the hot water in the mini-tank only and through the building's hot water return loop (timed or thermostatic controlled operation of the pump is commonly done). The GWH-635-ESO should be plumbed in line before the mini-tank water heater, contact BBTNA if further instruction is needed.

### 2.3 Dimensions and Minimum installation clearances

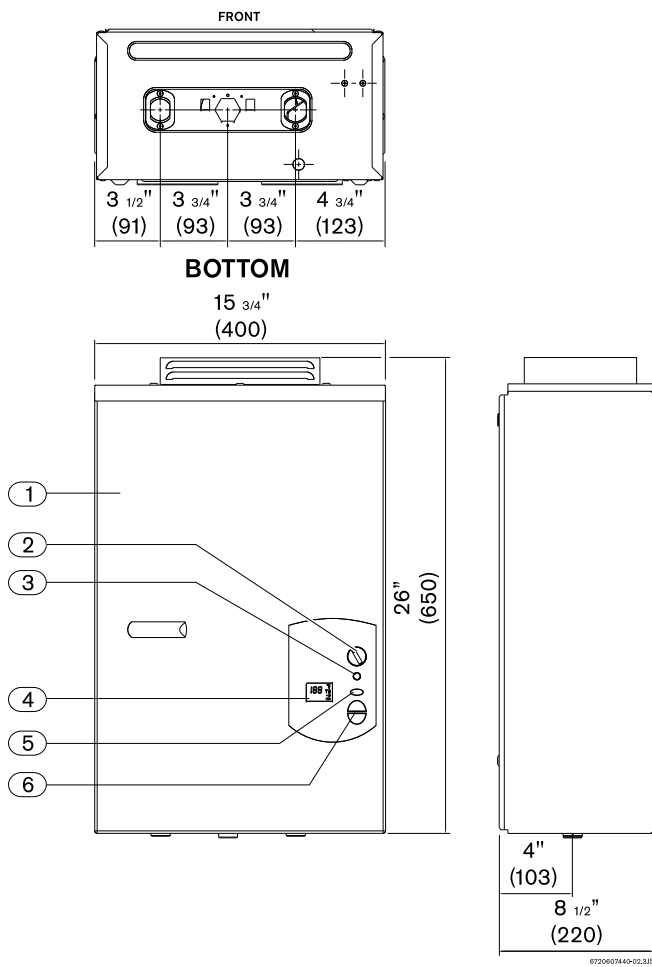


Fig. 3 Dimensions

- 1 Cover
- 2 On/Off switch
- 3 Reset button
- 4 LCD display
- 5 Program button
- 6 Temperature buttons

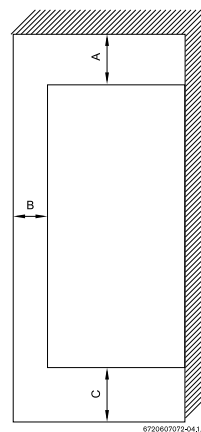


Fig. 4 Minimum clearances

	Model GWH-635-ESO
<b>TOP (A)</b>	3 ft.
<b>FRONT (B)</b>	4 ft.
<b>BACK</b>	0"
<b>SIDES</b>	4 ft.
<b>BOTTOM (C)</b>	1 ft.

Table 1 Minimum clearances

## 2.4 General rules to follow for safe operation

- ▶ **1.** You should follow these instructions when you install your heater. In the United States: The installation must conform with local codes or, in the absence of local codes, the National Fuel Gas Code ANSI Z223.1/NFPA 54.  
In Canada: The Installation should conform with CGA B149.(1,2) INSTALLATION CODES and /or local installation codes.
- ▶ **2.** Carefully plan where you install the heater. Proper clearances must be followed.
- ▶ **3.** The appliance must be isolated from the gas supply piping system by closing its individual manual gas shutoff valve (not supplied with heater) during any pressure testing at pressures in excess of ½ Psig (3.5 kPa).  
The appliance and its gas connection must be leak tested before placing the appliance in operation.
- ▶ **4.** Keep water heater area clear and free from combustibles and flammable liquids. Do not locate the heater over any material which might burn.
- ▶ **5. Correct gas pressure** is critical for the optimum operation of this heater. Gas piping must be sized to provide the required pressure at the maximum output of the heater, while all the other gas appliances are in operation. Check with your local gas supplier, and see the section on connecting the gas supply.
- ▶ **6.** Should overheating occur or the gas supply fail to shut off, turn off the gas supply at the manual gas shut off valve, on the gas line. Note: manual gas shutoff valve is not supplied with the heater.
- ▶ **7.** Do not use this appliance if any part has been underwater. Immediately call a qualified service technician to inspect the appliance and to replace any part of the control system and any gas control which has been underwater

## 2.5 Proper location for installing your heater

Carefully select the location of the water heater. Follow the guidelines below:

- ▶ **1.** Locate the heater where an adequate gas line size and plumbing connections are feasible and convenient.
- ▶ **2.** The hot water lines should be kept short to save energy. Centrally locating the water heater is best. It is always best to have hot water lines insulated to prevent the possibility of any freeze damage.
- ▶ **3.** The water in this heater is cold and always remains cold except for the times that hot water is being used. The heater is equipped with freeze prevention equipment that will operate and prevent freezing of the water in the heater to 5°F with no wind chill.

Electrical power must be maintained to the heater to allow this to function.



**WARNING:** Proper insulation of the water lines below the heater is required if below freezing temperatures, below 32°F, are ever anticipated!



**Danger:** If the temperature drops below 5°F, freeze damage to the water heater itself must be prevented by turning off the power to the heater, then disconnecting the plumbing connections and introducing short bursts of compressed air (20-40 psi) through the heater's connections. This will remove the residual water in the horizontal pipes and water valve..



**Danger:** Keep children away as the top of the water heater vent cap will get very hot during operation. Install in a place that prevents the top of the heater being reached by small children.



**Danger:** Flue gases will be released through the vent cap. Flue gas is very hot and contains carbon monoxide. The heater cannot be installed indoors. To prevent risk of fire and poisoning by carbon monoxide, assure all clearances indicated in manual.



**Danger:** Surface temperature around vent cap is less than 140°F, except highest top surface of vent cap may reach 400°F.



**Danger:** Do not place or store any combustible material within 5 feet of the appliance. Risk of fire could be caused by hot flue gas. **Note:** Exception is made for the wall where the appliance is installed and any adjacent walls or overhang. In this case observe clearances required in chapter 2.6.



**Warning:** Flammable materials, gasoline, pressurized containers, or any other items or articles that are potential fire hazards must NOT be placed on or adjacent to the heater. The appliance area must be kept free of all combustible materials, gasoline and other flammable vapors and liquids.

## 2.6 Heater Placement and Clearances

The GWH-635-ESO is design certified for installation directly on a combustible wall. (see 2.7 Mounting installation) For installation on vinyl siding see Fig. 10. Keep the area below the heater free of combustible material.

### Minimum clearances

If the appliance is installed under an overhang, there must be a 36" clearance from the top of the appliance and the mounting area must be open in front and on the sides of the appliance.

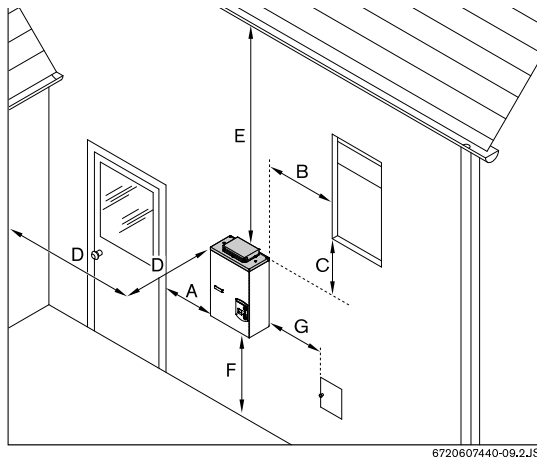


Fig. 5



**Danger:** The top of the kit will get hot due to the flue gases. Install away from children.

Ref.	Description	Min. distances
A	Directly below or from an opening; operable windows, doors and any fresh air openings	≥ 4 ft
B		
C		
D	From any adjacent wall or tall shrubbery	≥ 4 ft
E	Below a gutter, sanitary pipework, eaves or overhang	≥ 3 ft
F	Above ground	≥ 1 ft
G	From a gas meter, gas regulator, electrical box or another 635-ESO heater.	≥ 3 ft

Table 2 Clearances

## 2.7 Mounting installation



**Warning:** before starting installation:

- ▶ check that there are no loose parts inside the appliance
- ▶ ensure that gas pipe, gas valve, mixer, fan and burner have no damage and are properly fitted.



Front cover should be removed in order to inspect components visually (see instructions below).

To remove front cover.

- ▶ Loosen the two Philips head screws located on front panel (beneath plastic decal shields if they are already attached, see Fig. 6).

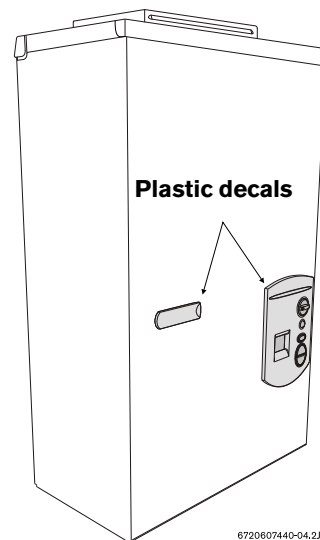


Fig. 6 Remove front cover

- ▶ Remove the two top screws securing the vent cap to the top of the heater, being careful the washers on the screws are not lost, see Fig. 7.

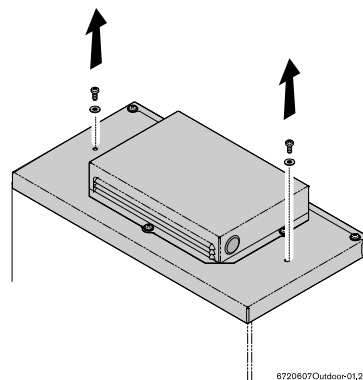


Fig. 7

- ▶ Lift the top vent cap completely upward from the heater.
- ▶ From the bottom of the heater, holding the sides, lift the front cover panel of the heater upward and slightly toward you to remove.

- ▶ After inspection, replace front cover and tighten screws, then replace plastic decal shields
- ▶ Fix the top vent cap on the top of the heater, as shown in Fig. 8). Make sure the vent cap is well fitted by taking special care that the front cover stays inside the extended special corners of the vent cap, as shown in Fig. 8). The sides of the cover must be pressed with your hands to ensure it fits inside those corners. Secure it in place with its two screws.

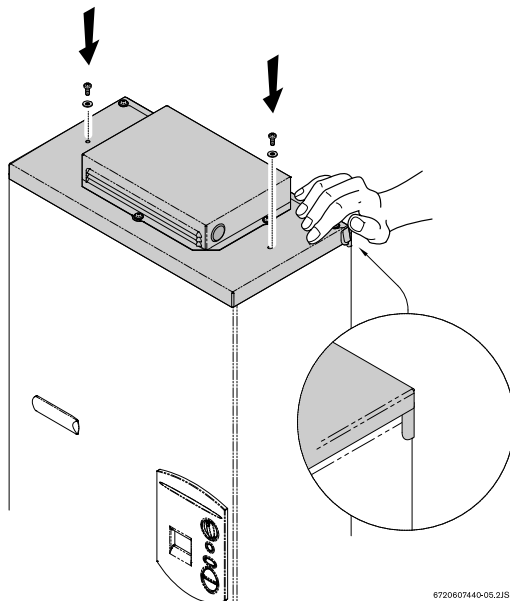


Fig. 8

- ▶ The water heater is design certified for mounting on a wall. Secure the wall mounting bracket provided with the water heater to a wall surface. See Fig. 9.
- ▶ The installation method of the mounting bracket will depend on what type of surface it's being mounted to. Due to the varying types of building surfaces, the installer must decide on how best to support and level the heater on an outside wall. It is always recommended that horizontal or vertical support boards or plywood sheathing (1/2" minimum) first be

attached to the wall surface. The heater must also be kept level on the wall surface.

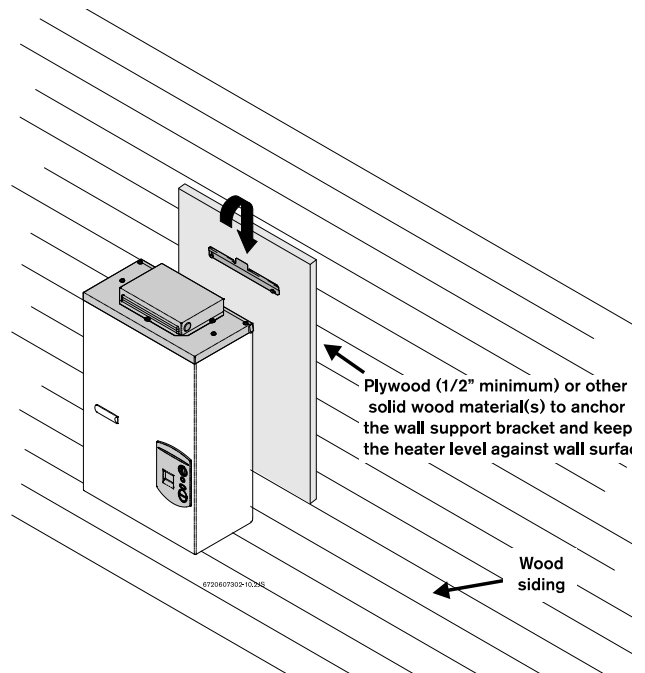


Fig. 9



**Warning:** Do not mount heater directly to vinyl siding. With vinyl siding surfacing, a 6' x 4' area of the siding must first be removed and then replaced with wood or other non-plastic made material. See Fig. 10.

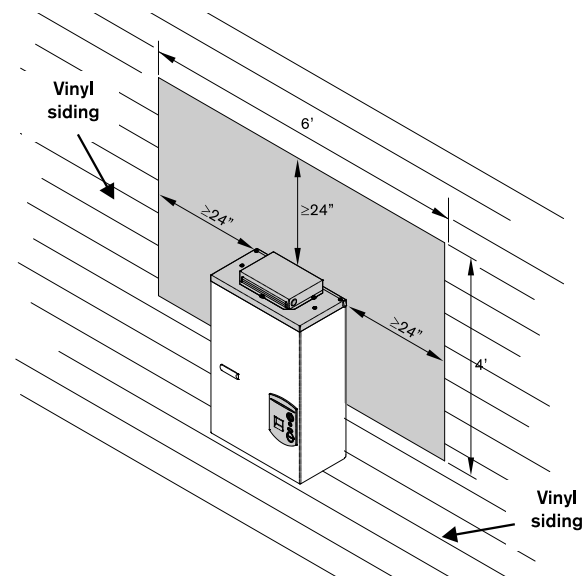


Fig. 10

### Vent Safety System

The GWH-635-ESO will shut down if the intake or exhaust louvers on the vent cap are blocked for any reason; see troubleshooting section on page 19. See error code table to confirm error, correct the problem and then reset the heater before operating.

## 2.8 Gas piping & connections



Before connecting the gas supply, check the rating plate on the right side of the heater to be sure that the heater is rated for the same gas to which it will be connected.

In the United States: The installation must conform with local codes or, in the absence of local codes, the National Fuel Gas Code ANSI Z223.1/NFPA 54.

In Canada: The Installation should conform with CGA B149 INSTALLATION CODES and/or local installation codes.

### GAS LINE SIZING

The gas supply piping should be sized according to the applicable plumbing code for a maximum draw of 175,000 BTUH. Measure the length of gas supply line and use the tables in Fig.12 or the gas line manufactures sizing tables to determine the pipe diameter necessary to accommodate the BTU demand of the unit. If there are more gas drawing appliances on the line, size the gas line according to the total maximum amount of BTU draw for all appliances.

**Note:** Under sizing the gas line may result in diminished output and improper operation. See chapter 2.9 for the procedure to confirm gas pressure.

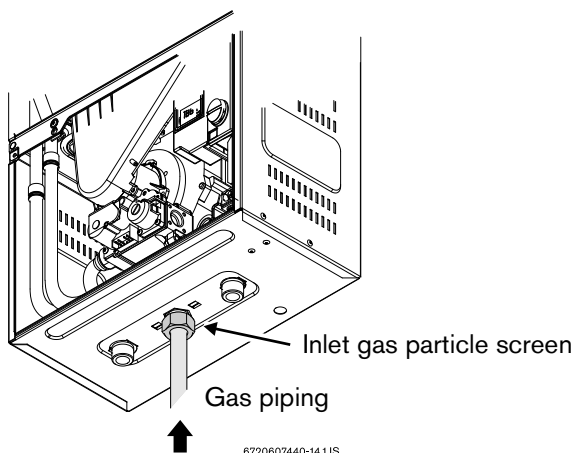


Fig. 11

- ▶ Install a manual gas shut off valve, on the gas supply line.
- ▶ The use of a union when connecting gas pipe to the gas inlet connection is important, this will facilitate any necessary servicing and cleaning of the inlet gas particle screen.
- ▶ The minimum diameter required for any appliance connector used is  $\frac{3}{4}$ ".
- ▶ National Fuel Gas Code requires that a sediment trap (drip leg) be installed on gas appliances not so equipped. The drip leg must be accessible and not subject to freezing conditions. Install in accordance with the recommendations of the serving gas supplier.



**Warning:** The heater must be isolated from the gas supply piping system during any pressure testing of that system at test pressures equal to or more than 0.5 psig.

The water heater must not be piped with gas supply pressures in excess of 0.5 psig. If overpressure has occurred, such as through improper testing of the gas lines or malfunction of the supply system, the gas valve must be checked for safe operation.

When connections are made, check for gas leaks at all joints. Apply some gas leak detection solution to all gas fittings. Bubbles are a sign of a leak. A Combustible Gas Detector may also be used to detect for leaks.



**Danger:** If you have a leak, shut off the gas. Tighten appropriate fittings to stop leak. Turn the gas on and check again with a gas leak detection solution. Never test for gas leaks using a match or flame.

**FOR NATURAL GAS**

Maximum Capacity of pipe in Cubic Feet of Gas per Hour for Gas Pressure of 0.5 Psig or less and a Pressure drop of 0.3 in Water Column (0.75mbar).(Based on a 0.60 Specific Gravity Gas) Btu numbers given in thousands.

Follow boxed numbers for piping just one GWH-635-ESO (example: 3/4" B.I. Natural Gas pipe for 20 ft (6.1m). will handle 190,000 btu's (55.7 kWh). For multiple appliances combine the total btu input load and then refer to applicable chart below.

Nominal Iron Pipe Size, inches	Internal Diameter inches	Length of Black Iron Pipe, Feet													
		10	20	30	40	50	60	70	80	90	100	125	150	175	200
1/4	0.364	32	22	18	15	14	12	11	11	10	9	8	8	7	6
3/8	0.493	72	49	40	34	30	27	25	23	22	21	18	17	15	14
1/2	0.622	132	92	73	63	56	50	46	43	40	38	34	31	28	26
<b>3/4</b>	0.824	<b>278</b>	<b>190</b>	152	130	115	105	96	90	84	79	72	64	59	55
<b>1</b>	1.049	520	350	<b>285</b>	<b>245</b>	<b>215</b>	<b>195</b>	<b>180</b>	170	160	150	130	120	110	100
<b>1 1/4</b>	1.380	1050	730	590	500	440	400	370	<b>350</b>	<b>320</b>	<b>305</b>	<b>275</b>	<b>250</b>	<b>225</b>	<b>210</b>
1 1/2	1.610	1600	1100	890	760	670	610	560	530	490	460	410	380	350	320
2	2.067	3050	2100	1650	1450	1270	1150	1050	990	930	870	780	710	650	610

Tube size, inches	EHD*	Length of Flexible Corrugated Stainless Steel Tubing (CSST), Feet					
		10	20	30	40	50	60
1/2	18 EHD	82	58	47	41	37	34
3/4	23 EHD	161	116	96	83	75	68
<b>1</b>	<b>30 EHD</b>	<b>330</b>	<b>231</b>	<b>188</b>	162	144	131
<b>1 1/4</b>	<b>37 EHD</b>	<b>639</b>	<b>456</b>	<b>374</b>	<b>325</b>	<b>292</b>	<b>267</b>

\* EHD = Equivalent Hydraulic Diameter. The greater the value of EHD, the greater the gas capacity of the tubing.

**FOR LP GAS**

Maximum Capacity of Pipe in Thousands of BTU per Hour of Undiluted Petroleum Gases (at 11 inches Water Column Inlet Pressure) (Based on a Pressure Drop of 0.5 Inch Water Column).

\* EHD = Equivalent Hydraulic Diameter. The greater the value of EHD, the greater the gas capacity of the tubing.

Nominal Iron Pipe Size, Inches	Black Iron Pipe Length of Pipe, Feet													
	10	20	30	40	50	60	70	80	90	100	125	150		
1/2	<b>275</b>	<b>189</b>	152	129	114	103	96	89	83	78	69	63		
3/4	567	693	<b>315</b>	<b>267</b>	<b>237</b>	<b>217</b>	<b>196</b>	<b>185</b>	173	162	146	132		
<b>1</b>	107	732	590	504	448	409	378	346	<b>322</b>	<b>307</b>	<b>275</b>	<b>252</b>		
1 1/4	220	149	121	103	913	834	771	724	677	630	567	511		
1 1/2	330	229	185	155	141	127	118	108	102	976	866	787		

Tube size, inches	EHD*	Length of Flexible Corrugated Stainless Steel Tubing (CSST), Feet					
		10	20	30	40	50	60
1/2	18 EHD	129	91	74	64	58	53
<b>3/4</b>	<b>23 EHD</b>	<b>254</b>	<b>183</b>	151	131	118	107
<b>1</b>	<b>30 EHD</b>	<b>521</b>	<b>365</b>	<b>297</b>	<b>256</b>	<b>227</b>	<b>207</b>
1 1/4	37 EHD	971	661	528	449	397	359

Maximum Capacity of Semi-Rigid copper Tubing in Thousands of BTU per Hour of Undiluted Liquefied Petroleum Gases (at 11 inches Water Column Inlet Pressure).

(Based on a Pressure Drop of 0.5 Inch Water Column)

\* Source National Fuel Gas Code NFPA 54, ANSI Z223.1 - No Additional Allowance is necessary for an ordinary number of fittings

Outside diameter Inch	Copper Length of Tubing, Feet									
	10	20	30	40	50	60	70	80	90	100
3/8	39	26	21	19	-	-	-	-	-	-
1/2	92	62	50	41	37	35	31	29	27	26
<b>5/8</b>	<b>199</b>	<b>131</b>	<b>107</b>	90	79	72	67	62	59	55
<b>3/4</b>	<b>329</b>	<b>216</b>	<b>181</b>	145	131	121	112	104	95	90

Fig. 12

## 2.9 Measuring gas pressure

### 2.9.1 Connecting Manometer

- ▶ Shut off gas.
- ▶ Remove front cover and locate inlet gas pressure measuring point (see Fig. 14).
- ▶ Loosen screw inside test point fitting (do not remove) and connect manometer tube on test point.

### 2.9.2 Static Pressure Test

- ▶ Turn gas supply back on.
- ▶ Operate all other gas appliances on same gas piping system at maximum output.
- ▶ Record static gas pressure reading in table 3.

### 2.9.3 Operating Pressure Test

- ▶ ON/OFF switch in position OFF (0).
- ▶ Press and hold "Program" (M) button and turn ON/OFF switch to ON position.

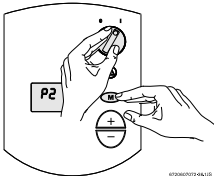


Fig. 13

- ▶ As soon as '188' is displayed, release "Program" button and the display should read P2.
- ▶ Press  $\Delta$  +, until P1 appears.

**Note:** While in this mode the appliance will run constantly at maximum power and allow maximum water flow. These program modes are for test purposes only and not intended for normal operation.

- ▶ Turn on high volume of hot water flow (at least 6 gpm) and heater will ignite.
- ▶ Record operating gas pressure reading in table 3.

Gas pressures lower than 5" W.C. for Natural Gas or 11" W.C. for LPG will result in insufficient degree rise to the hot water being used, and must be corrected. See Gas Connections, chapter 2.8.

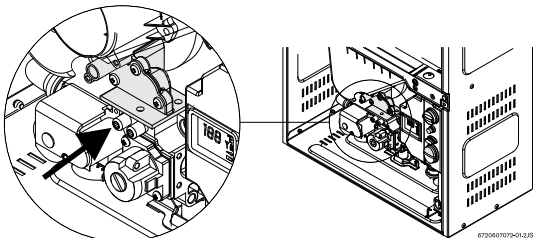


Fig. 14 Gas pressure measuring (left tapping)

<b>Static</b> Gas Pressure Reading (see Chapter 2.9) enter here: _____
<b>Operating</b> Gas Pressure Reading (see Chapter 2.9) enter here: _____

Table 3

### HIGH ALTITUDE OPERATION

Altitude	Natural Gas:	Liquid Propane:	
0 - 4,000 ft (0 - 1,219 m)	no modification	no modification	For operation at elevations above 2,000 ft (610 m) the equipment ratings shall be reduced at the rate of 4% for each 1,000 ft (305 m) above sea level
4,000 ft - 7,000 ft (1,219 m - 2,134 m)	CO <sub>2</sub> adjustment with flue gas analyzer required See chapter 9 for instructions.		
Above 7,000 ft (above 2,134 m)	Not approved		

Table 4

## 2.10 Water connections



When facing the heater, the  $\frac{3}{4}$ " cold water inlet is on the bottom right and the hot water outlet is on the bottom left. Install the heater where it's centrally close to hot water use of points if possible, and make hot water piping runs as short as possible.

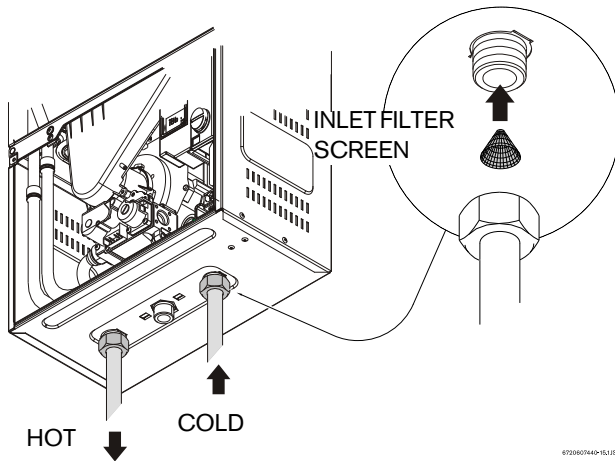


Fig. 15

► **THE USE OF A UNION WHEN CONNECTING BOTH WATER PIPES TO THE INLET AND OUTLET CONNECTIONS IS RECOMMENDED, THIS WILL FACILITATE ANY NECESSARY SERVICING AND REQUIRED CLEANING OF THE INLET WATER PARTICLE SCREEN.**

Although water piping throughout your structure may be other than copper, we recommend that copper piping or suitably rated stainless steel flex line piping be used for at least three feet before and after the heater (follow local codes if more stringent). Never sweat any rigid piping directly to or beneath the water connections, damage can occur to the internal water valve from heating of the pipe. Plastics or other PEX type plumbing line materials are not suitable for connecting directly to the water heater. Keep water inlet and outlet pipes to no less than  $\frac{3}{4}$ " (19.05mm) diameter to allow the full flow capacity.

**It is recommended that all water piping below the heater be properly insulated to avoid heat loss. If below freezing temperatures are ever anticipated where the heater is located, insulation material is required and must be capable of protecting the piping from freezing. The freeze protection that is equipped within the heater will not prevent any freeze damage to the exterior water piping.**

If the cold and hot connections to the heater are reversed, the heater will not function. Be certain there are no loose particles or dirt in the piping. Blow out or flush the lines before connecting to the water heater. Full port valves should be installed on both the cold water supply and hot water outlet lines to facilitate servicing the heater (see Fig. 16). For installation on a private well system with the use of a pressure tank, the

lowest pressure range setting recommended is 30-50 psi (2.07 and 3.45bar).

### Connecting the pressure relief valve (PRV)

A listed pressure relief valve supplied with the heater must be installed at the time of installation. No valve is to be placed between the PRV and the heater. No reducing coupling or other restriction may be installed in the discharge line. The discharge line must be a minimum of 4" above a drain and installed such that it allows complete drainage of both the PRV and the line. The location of the PRV must be readily accessible for servicing or replacement, and be mounted as close to the water heater as possible. See Fig. 16. To install the PRV, a suitable fitting connected to an extension on a "T" fitting can be sweated to the hot water line. Support all piping.

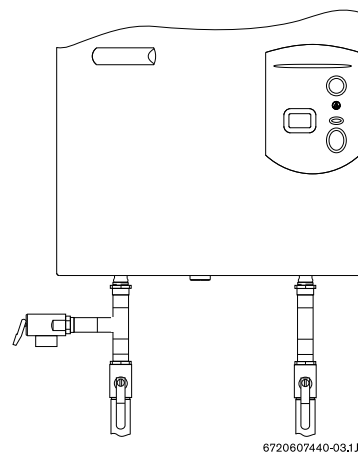


Fig. 16 Plumbing Connections and Pressure Relief Valve

## 2.11 Electrical connections



**Warning:** Confirm that the water heater is appropriately grounded and that the installation meets all electrical codes. Outdoor electrical outlets have special requirements.



**Warning:** For safety reasons, disconnect the power supply to the heater before any service or testing is performed.

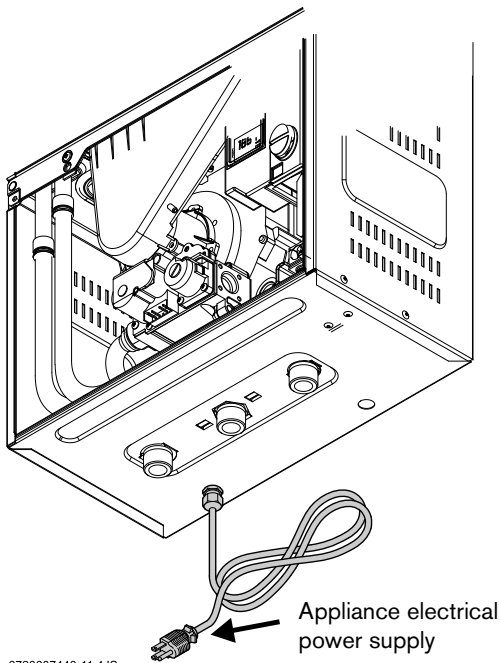


**Warning:** This heater must be electrically grounded in accordance with the most recent edition of the National Electrical Code. NFPA 70. In Canada, all electrical wiring to the heater should be in accordance with local codes and the Canadian Electrical Code, CSA C22.1 Part 1. Do not rely on the gas or water piping to ground the metal parts of the heater.

The GWH-635-ESO requires an electrical power supply from a 120VAC 60Hz circuit and must be properly grounded.

A means for switching off the 120VAC power supply must be provided.

The heater is wired as shown in the wiring diagram (chapter 6, Fig. 29).



6720607440-11.4JS

Fig. 17



**Warning:** The heater is equipped with freeze prevention equipment that will operate and prevent freezing of the water in the heater to 5°F with no wind chill. Electrical power must be maintained to the heater to allow this to function. **WARNING: Proper insulation of the water lines below the heater is required if below freezing temperatures, below 32°F, are ever anticipated.**

## 2.12 Operating instructions

- ▶ Remove the control cover shield to access the controls of the water heater.

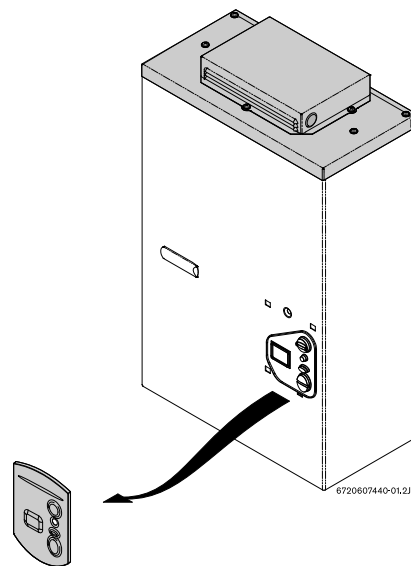


Fig. 18



**Warning:** The control cover must be replaced after the initial operation begins, and must be in place at all times.

- ▶ Before proceeding with the operation of the heater make sure that the system is filled with water.
- ▶ Turn off power supply to heater.
- ▶ Open the cold water inlet supply to the heater fully.
- ▶ Open a hot water faucet to permit the water to fill the heater and the piping and to eliminate the air trapped in the system.
- ▶ Close the hot water faucet after the water flows freely and all the air has escaped from the system. Turn on power supply to heater. The water heater is now ready to operate.



**NOTE:** A default temperature setting of 122 F will appear on the display screen.

## 2.13 For your safety read before operating your water heater



**Warning:** If you do not follow these instructions exactly, a fire or explosion may result causing property damage, personal injury or loss of life.

**A.** This appliance is equipped with electronic ignition for lighting the main burners. When turning the heater on, follow these instructions exactly.

**B.** Before operating the unit, turn the On/Off switch to the right position.

### WHAT TO DO IF YOU SMELL GAS

- ▶ Do not try to light any appliance.
- ▶ Do not touch any electric switch; do not use any phone in your building.
- ▶ Immediately call your gas supplier from a neighbors phone. Follow the gas supplier's instructions.
- ▶ If you cannot reach your gas supplier, call the fire department.

**C.** Use only your hand to turn the on/off control switch. Never use tools. Follow these instructions exactly. If control switch is jammed, close the gas supply and call a qualified service technician. Attempted forceful repair may result in a fire or explosion.

**D.** Do not use this appliance if any part has been under water. Immediately call a qualified service technician to inspect the appliance and to replace any part of the control system and any gas control which has been under water.

## 2.14 Lighting and operating instructions

- ▶ **1.** STOP! Read the previous safety information.
- ▶ **2.** The gas valve must be shut off by putting the ON/OFF switch to the OFF position (turn to the left position). Wait five (5) minutes to clear out any gas. If you smell gas, STOP! Follow "B" in the safety information above. If you do not smell gas, go to the next step.
- ▶ **3.** This appliance is equipped with electronic ignition for lighting the main burners. When turning the heater on, follow these instructions exactly.
- ▶ **4.** Set the ON/OFF switch to the ON position (turn to the right position). In this position, the water heater is ready to use.
- ▶ **5.** Open a hot water tap.
- ▶ **6.** The burners will remain on until the hot water tap is turned off.



**NOTE:** on a first time initial installation or after gas line work has been done, air in the gas line will cause ignition delay when the hot water is turned on. This will result in an error (EA or EC) on the units display screen. This is normal. When this occurs, leave the hot water running and wait 3-5 seconds, then press reset button to reset the unit (Fig. 19, pos. 2). Wait for (EA or EC) to disappear. The heater will begin to attempt ignition again, if the (EA or EC) reappears then repeat this same process until all air has been bled from the gas line.

When the heater is in operation you will hear its power vent fan and burner operating. Upon turning off the hot water flow the power vent fan will continue to operate for up to 60 seconds to exhaust all flue gases. The power vents fan speed is variable depending on the rate of hot water used and the burner output.

### TO TURN OFF GAS TO APPLIANCE

- ▶ Turn off the manual gas shut off valve on the supply line to the heater and set the ON/OFF switch to the OFF position (turn to the left position). Note: a manual gas shut off valve is not supplied with the heater.

### 3 Operation instructions

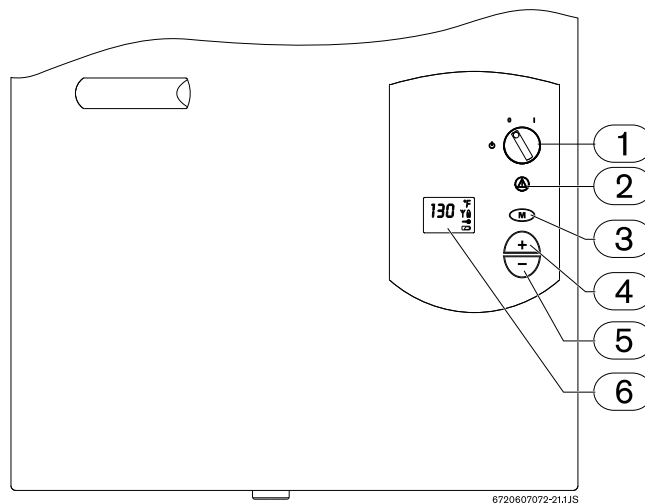


Fig. 19

- 1 On/Off switch
- 2 Reset button
- 3 Program button
- 4 Increasing temperature button
- 5 Decreasing temperature button
- 6 LCD display

#### 3.1 Power

##### On

- ▶ To start the appliance switch the button to the ON position (turn to the right position).  
LCD display the default temperature - temperature factory setting 122°F (50°C).

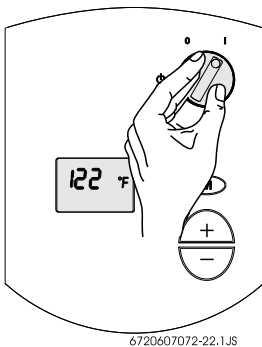


Fig. 20

##### Off

- ▶ To shut down the appliance, switch the button to the OFF position (turn to the left position).

#### 3.2 Temperature selection

To select water temperature outlet:

- ▶ Press buttons and in order to reach requested temperature.

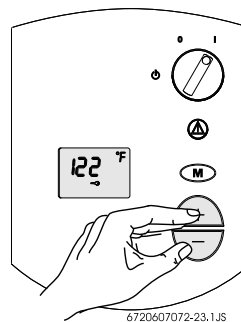


Fig. 21

If the outlet water temperature is set too high, the heater can produce temperatures that are too hot. A temperature balance shower valve can automatically mix in cold water to reduce such hot water temperature. In the event of any temperature instability with the use of a temperature balance shower valve, refer to shower valve manufacturer's instructions for internal adjustment setting. Adjustments should be made to the hottest setting in the shower valve. Additionally the temperature control of the heater can be lowered to produce a more comfortable hot water temperature.

### Setting the water temperature

The desired temperature of the hot water can be adjusted on the front control panel of the heater. The GWH-635-ESO has an electronically controlled gas valve that modulates the burner input in response to both varying hot water flow rates and/or changes in any incoming and outgoing water temperatures.

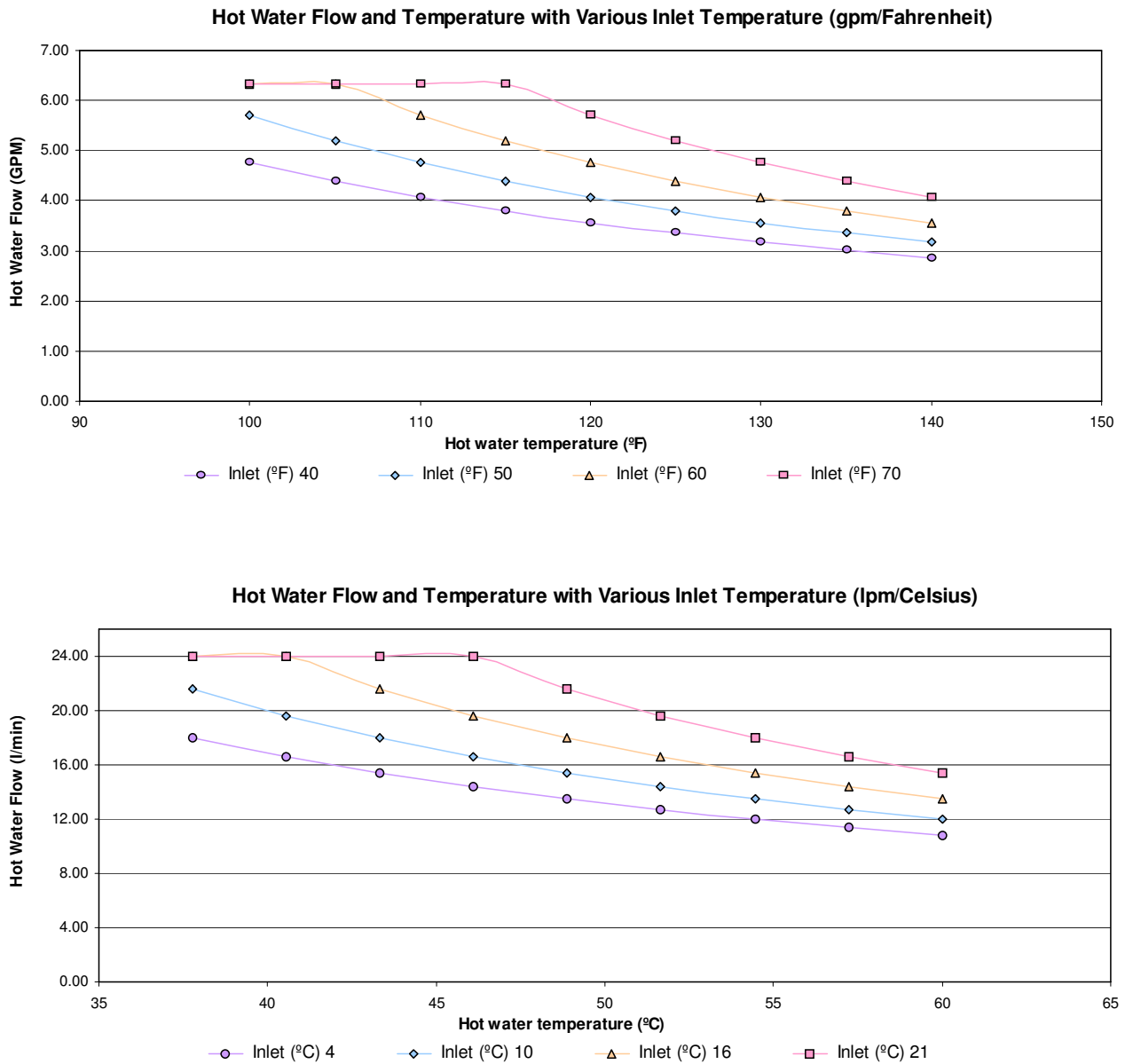


Fig. 22 Flow/temperature charts

### 3.3 Use of remote control accessory

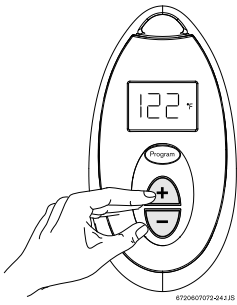


Fig. 23 Remote control

The wireless remote control accessory and the temperature selector buttons on the front of the water heater operate identically. Contact your distributor or BBTNA to order if the remote control accessory is preferred. Modification of the water heaters interior control unit (Fig. 24, component 12) is required when programming the remote control with this heater.



**NOTE:** up to 6 remote controls can be programmed for one single water heater, each with a range distance of 98 ft (30 m).

### 3.4 Operation

- ▶ When a hot water tap is opened, main burner ignites and LCD displays indication .

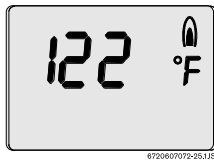


Fig. 24

- ▶ LCD blinks until selected temperature is reached.

### 3.5 Reset button

If the LCD shows the error symbol .

**Note:** do not use the ON/OFF switch when error is present.

See the error code on LCD and consult "Troubleshooting" section.

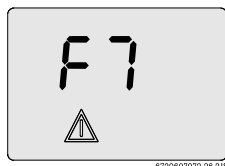


Fig. 25

After following instructions indicated in "Troubleshooting" section

- ▶ press reset button in order to make the appliance ready-to-work.

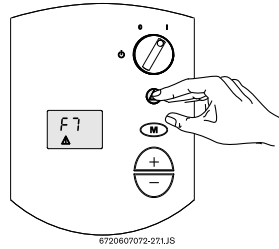


Fig. 26 Reset button

If the problem persists, contact your installer.

### 3.6 Program button

Program button can be used/programmed in the appliance and in the remote control.

#### Programming "Program" function

Programming actions are similar for both controls (appliance control pad and wireless remote control).

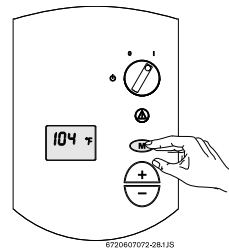


Fig. 27 "Program" key

- ▶ Press buttons and to select temperature to be memorized.
- ▶ Hold "Program" button for 3 seconds to save temperature.

When LCD stops blinking. Temperature is saved on "Program".

#### Using "Program" function

In order to select memorized temperature

- ▶ Press "Program" key.

LCD shows pre-memorized temperature, which is now the hot water selected temperature.

### 3.7 Locked condition

This condition is only valid for appliances with more than 1 controller (an appliance with one or more remote controls).



Fig. 28 Locked condition

Whenever LCD shows the temperature setting cannot be adjusted because the appliance is in use by a user which already selected a different temperature. Appliance will be automatically unlocked after closing hot water tap.

## 4 Maintenance and service



**Warning:** Always turn off the electrical power supply, turn off the manual gas valve and turn off the manual water control valves whenever servicing.

The unit should be checked once a year by a gas technician. If repairs are needed, the repairs should be done by a gas technician

### To remove front cover

- ▶ See instructions to remove front cover on page 8.

### Systems and parts that should be checked at least once a year

Reference diagrams on pages 24 and 25.

- Venting system
- Burners -see page 24 for observation window
- See relief valve manufacture's instruction for pressure relief valve maintenance
- Periodic cleaning of the water filter screen, see Fig. 15, chapter 2.10.
- Flushing the heat exchanger with a descaling solution if mineral build up is evident. Scale build up will shorten the life of the water heater, descale heat exchanger thoroughly and repeat annually depending on mineral content of ground water.

## 5 Troubleshooting

### Introduction

The GWH-635-ESO burner is activated by a water flow valve. Numerous water related problems can cause this water valve to malfunction such as: Insufficient water flow volume to activate the burners at its minimum flow requirement; Dirt in the inlet filter screen; Sediment build-up in faucet aerators, or shower heads; Uneven pressures between cold and hot (with single lever mix valves); and Plumbing crossovers. These water flow related problems can cause the heater to deliver less than its full output, or to fail to ignite or to shut down completely.

Problems stated below in upper case and in bold face should be investigated when there is a problem with the performance of the water heater but there is NO error code on the heater's LCD display or wireless remote control.

Any failures that result in a displayed error code are referenced on page 21. A Functional Scheme of the GWH-635-ESO is detailed on page 23. If there is a problem with the installation, venting or operation of the unit, the heater will communicate the source by these error codes.

### BURNERS DO NOT IGNITE WHEN HOT WATER IS TURNED ON

- **Cold incoming water connection made to wrong side of heater**  
Make sure cold water inlet connection is plumbed to the right side of heater when facing unit
- **Water flow rate at hot water tap is too low**  
A minimum of 0.8 gallon/minute (3 l/m) is required to activate the heater
- **Cold water inlet filter screen is dirty**  
Remove water inlet filter screen and clean. The screen is located at the inlet connection to the water heater, disconnecting the main cold supply line at the heater is required. Check and clean faucet aerator screens too.
- **Crossover in plumbing**  
The heater activates when there is sufficient water flow through its water valve, a minimum of 0.8 gallon/minute (3 l/m) is required. If there is a crossover in the plumbing, the necessary hot water flow rate through the unit may not be reached, even though the flow at the hot water tap is sufficient. A plumbing crossover can be caused by a failed washer at a single lever faucet, incorrect plumbing or a faulty mixing valve in the piping. The crossover will create a back pressure on the water heater and prevent an adequate flow of water through it. To confirm there is no crossover in the plumbing, shut off the cold water supply feed to the water heater. Individually open each of the hot water taps. There should be no water flowing under a constant pressure. If there is a constant flow of water then the plumbing crossover must be corrected before the heater can operate properly.

### WATER IS TOO HOT

- **Temperature selection too high**  
Lower temperature adjustment on heater or wireless remote control accessory, see chapter 3.2.

### WATER IS NOT HOT ENOUGH

- **Temperature selection too low**  
Increase temperature adjustment on heater or wireless remote control accessory, see chapter 3.2
- **Btu input is too low due to inadequate gas line sizing**  
See specifications in chapter 2.8 - 2.9. The GWH-635-ESO requires adequate gas pressure to reach desired temperatures, to compensate for inadequate gas supply or lack of gas pressure the GWH-635-ESO will effectively reach the selected output temperature by reducing the hot water flow rate. Its motorized water valve makes this adjustment
- **Cold water is mixing with the hot water outlet (crossover)**

Test by following 4th bullet under BURNERS DO NOT IGNITE WHEN HOT WATER IS TURNED ON.

### LOW WATER FLOW/PRESSURE

- **Too many hot water applications are being used simultaneously or too much flow is being demanded**

The GWH-635-ESO will effectively support two 2.0-2.5 gpm shower heads simultaneously or multiple sink applications. Greater draws will result in increased pressure drop and reduced flow at taps. See flow/temperature chart on page 17.

- **Btu input is too low due to inadequate gas line sizing**

See specifications in chapter 2.8 - 2.9. The GWH-635-ESO requires adequate gas pressure to reach expected temperatures and flow rates, to compensate for inadequate gas supply or lack of gas pressure the GWH-635-ESO will effectively reach the selected output temperature, but only by reducing the hot water flow rate. Its motorized water valve makes this adjustment. Proper gas pressure will need to be delivered before the motorized water valve will allow greater flow rates through it. Lowering the set temperature will also allow increased water flow rate through the motorized water valve. See flow/temperature chart on page 17.

- **Cold water inlet filter screen is dirty**

Remove water inlet filter screen and clean. The screen is located at the inlet connection to the water heater, disconnecting the main cold supply line at the heater is required. Check and clean faucet aerator screens too.

### HOT WATER TEMPERATURE FLUCTUATES / UNIT DEACTIVATED

- **Unbalanced pressure in water lines**

Any restriction caused by the water heater in the hot water system can result in uneven pressures between the cold and the hot. In such cases when mixing cold water at the tap (manually or automatically through a mix-type shower valve) the lower hot water pressure may be overpowered by the higher cold water pressure in the building and cause the hot water flow rate to fall below the minimum rate required. A pressure balance valve will help to resolve this symptom.

- **Temperature balance valves**

If the outlet water temperature is set too high, the heater can produce temperatures that are too hot. A temperature balance shower valve can automatically mix in cold water to reduce such hot water temperature. In the event of any temperature instability with the use of a temperature balance shower valve, refer to shower valve manufacturer's instructions for internal adjustment setting. Adjustments should be made to the hottest setting in the shower valve. Additionally the temperature

control of the heater can be lowered to produce a more comfortable hot water temperature.

- **Inlet water pressure is erratic due to fluctuating supply water pressure**

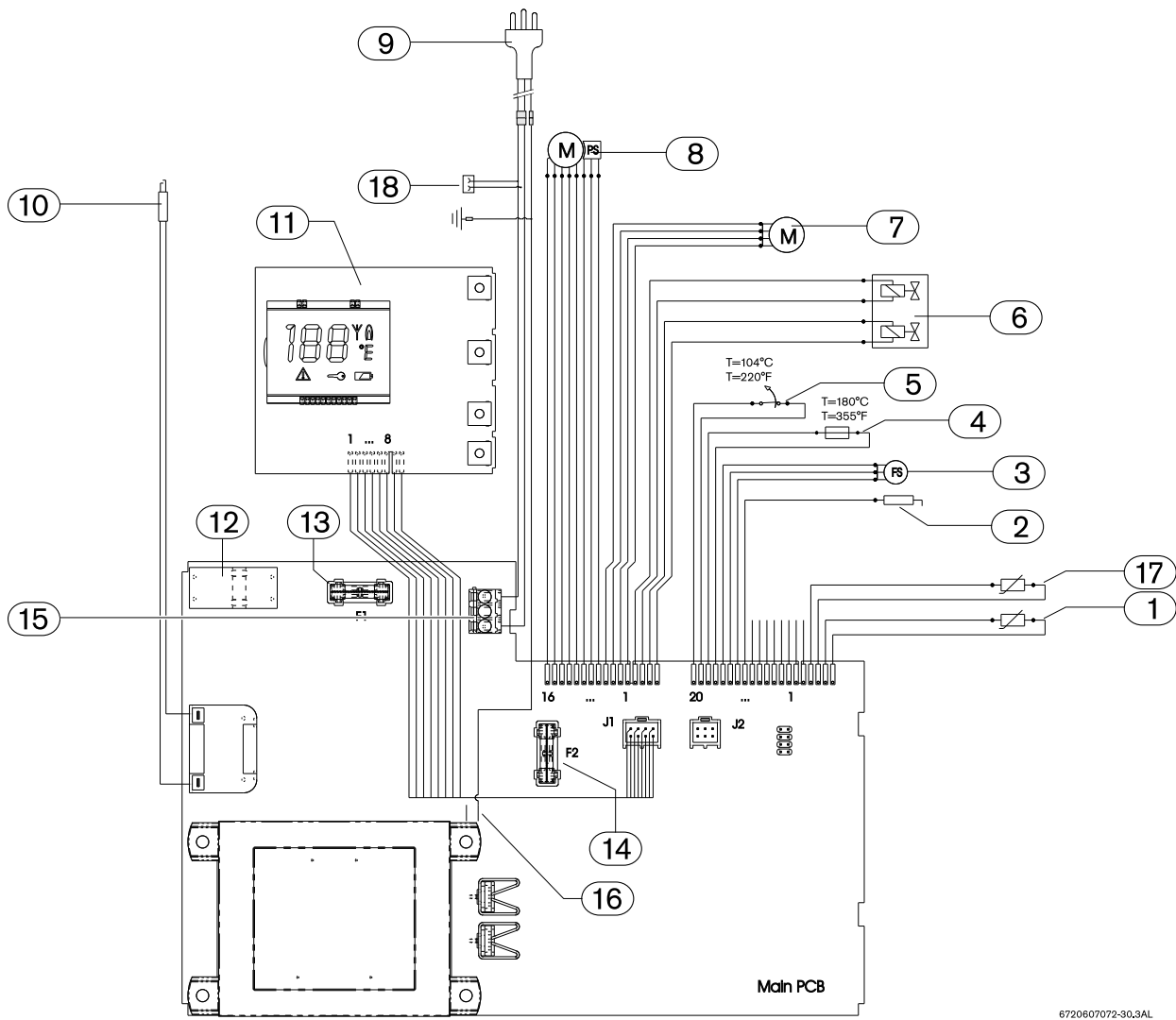
For installation on a private well system with the use of a pressure tank, the lowest pressure range setting recommended is 30-50 psi (2.07-3.45 bar). The use of a pressure reducing valve after the pressure tank is also an effective way to maintain a constant water pressure to the water heater. Watts brand 25AUB-3/4" or N35B-3/4" pressure relief valves or equivalent are suggested.

Display	Cause	Solution
E9	Temperature limiter opened circuit (overheat). Trips at 220F (104C).	Check connections.* Check heat exchanger condition.*
EA	No ionization during safety time (safety time out). Note: appliance makes 3 ignition attempts before entering error mode "EA".	Check gas pressure. (see chapter 2.9) * Check that gas is not diluted with air, as a result from recent gas pipeline rework.* Check if vent terminal is blocked (especially when the appliance starts up for some seconds and then loses ionization signal).*
EC	The ionization signal momentarily disappeared more than 5 times in less than 30 seconds. CO <sub>2</sub> may be out of adjustment	Check ionization electrode.* Check for a proper ground.* Check CO <sub>2</sub> levels.* (see chapter 9)
FA	Leakage error (gas valves do not close gas circuit).	Check gas valve and control unit.*
F7	Ionization error (flame sensing at stand-by).	Check control unit.*
E0	Internal software/hardware failure.	Check control unit.*
A7	Hot water temperature sensor/receiver defect (from control unit).	Check water temperature sensor/receiver and connections.* Check incoming water temperature to heater, it must be above 32°F (0°C)
A9 (flashing)	Hot water temperature sensor/receiver mis-assembled (from control unit).  Note: if display shows "A9" flashing, the appliance can be operated normally, but performance may be affected.	Check that the water temperature sensor/receiver is properly assembled on the horizontal of the hot water pipe.* Check that the water temperature sensor/receiver is free from corrosion or moisture.*
C1	FAN rotation too low at start-up (from control unit).	Check supply voltage.* Check fan and connections.* Check control unit.* Check if vent terminal is blocked. *
C6	FAN rotation too low at operation (from control unit).	Check supply voltage.* Check fan and connections.* Check control unit.*
C7	No rotational speed sensor signal from FAN	Check fan and connections.* Check control unit.*
CA	Water flow signal over specified maximum value	Check water valve and flow sensor.*
E2	Inlet temperature sensor fault	Check water temperature sensor/receiver and connections.* Check incoming water temperature to heater, it must be above 32°F (0°C)
A2	Overheat protection fault	Check connections to the overheat protection.* Check sensor continuity.* Check heat exchanger sealings and walls.*

Table 5

\* By installer or service technician only.

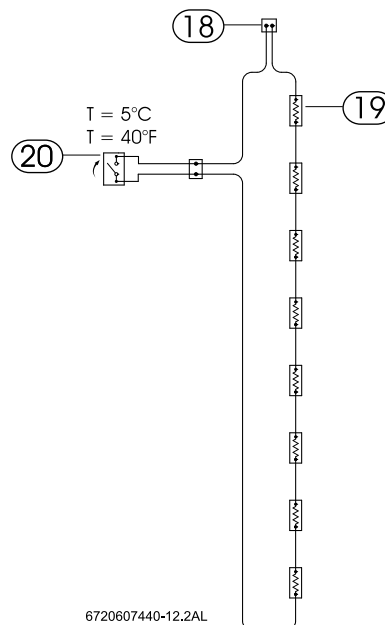
## 6 Electrical diagram



672060702-30,3AL

Fig. 29 Electrical scheme

- 1 Inlet water temperature sensor
- 2 Ionization sensor
- 3 Water flow sensor
- 4 Over heat protection
- 5 Temperature limiter
- 6 Gas valve
- 7 Fan
- 8 Water valve
- 9 AC Plug
- 10 Ignition electrode
- 11 Display PCB
- 12 ON/OFF switch
- 13 Fuse T 2,5A
- 14 Fuse T 3,15A
- 15 Terminal block
- 16 Ground post
- 17 Outlet water temperature sensor
- 18 Connector for Anti-freeze
- 19 Anti-freeze device (Heating resistors)
- 20 Temperature sensor



6720607440-12.2AL

Fig. 30 Anti-freeze electrical scheme

## 7 GWH-635-ESO Functional scheme

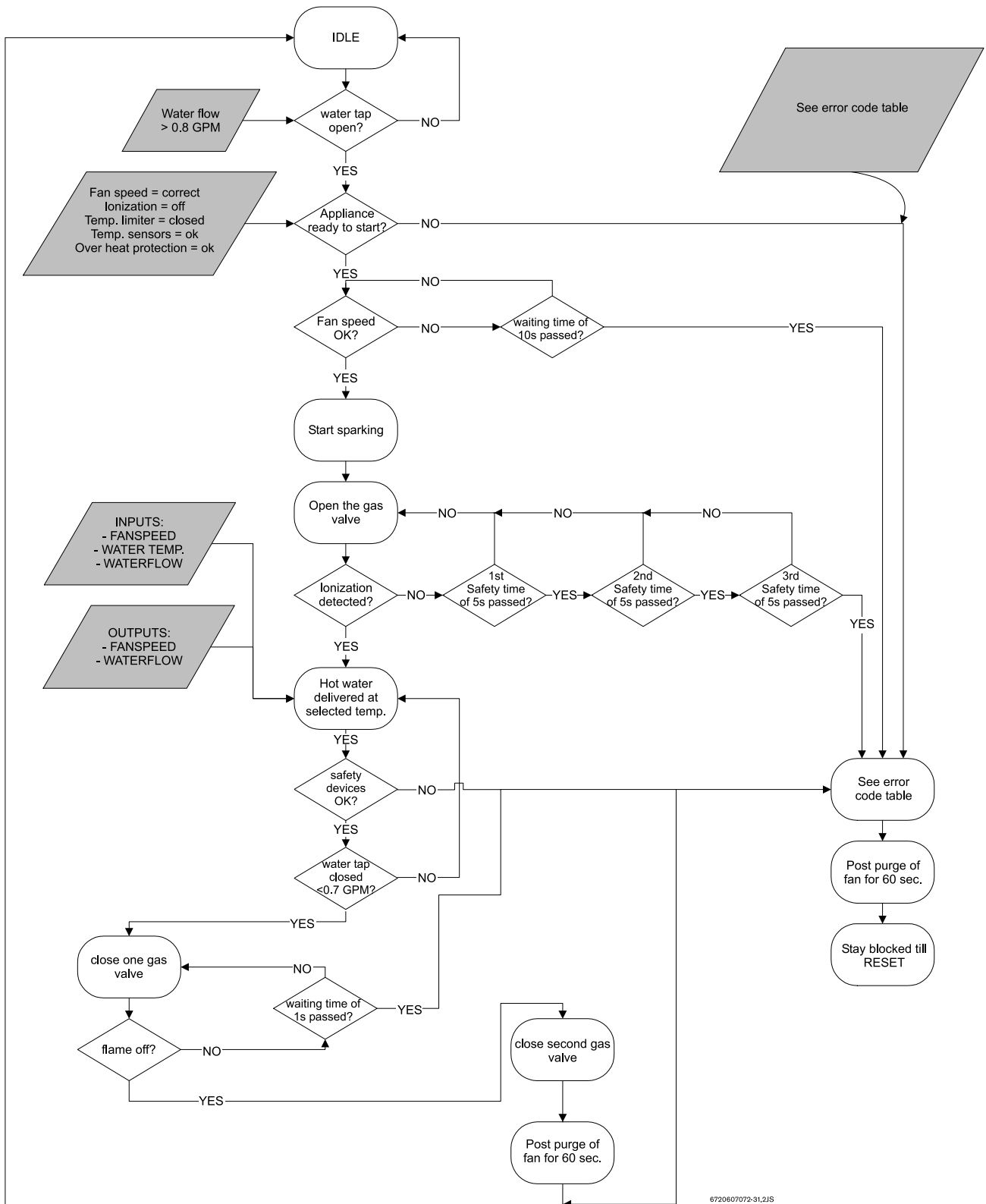


Fig. 31 Functional scheme

## 8 Interior components diagram and parts list

### 8.1 Interior components

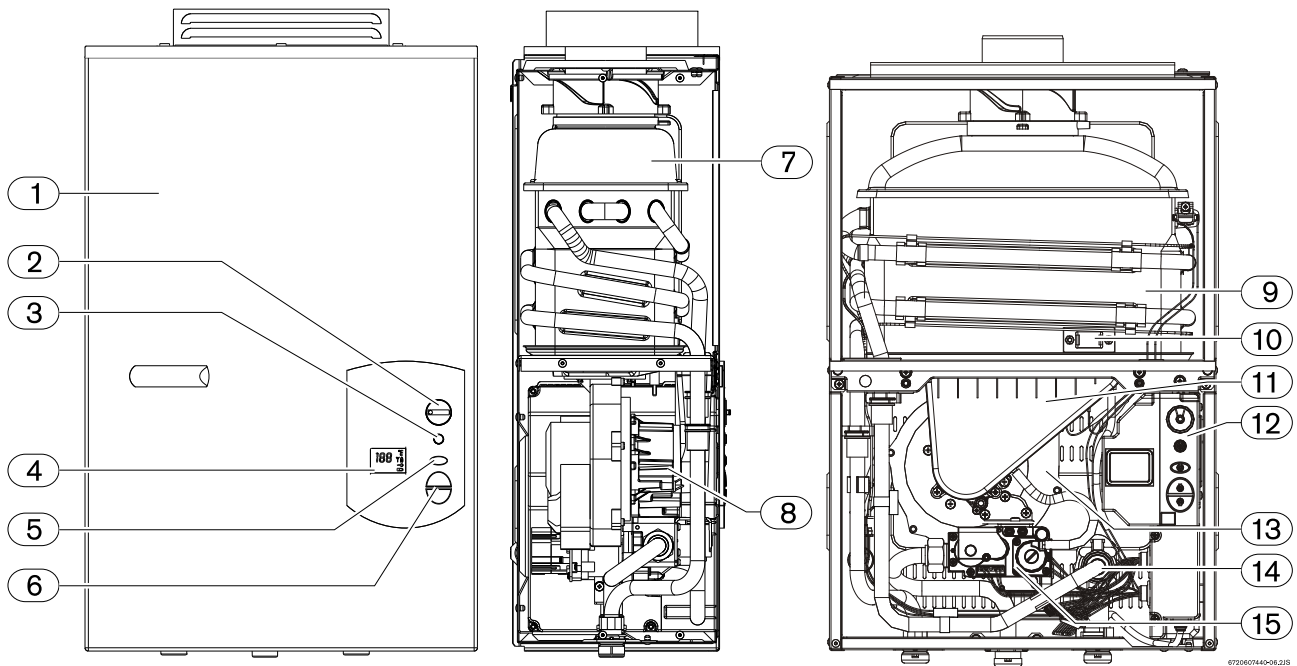


Fig. 32 Components

- 1 Cover
- 2 On/Off switch
- 3 Reset button
- 4 LCD display
- 5 Program button
- 6 Temperature buttons
- 7 Flue gas collector
- 8 Mixer
- 9 Heat exchanger
- 10 Observation window
- 11 Inlet air duct
- 12 Control unit
- 13 Exhaust fan
- 14 Water valve
- 15 Gas valve

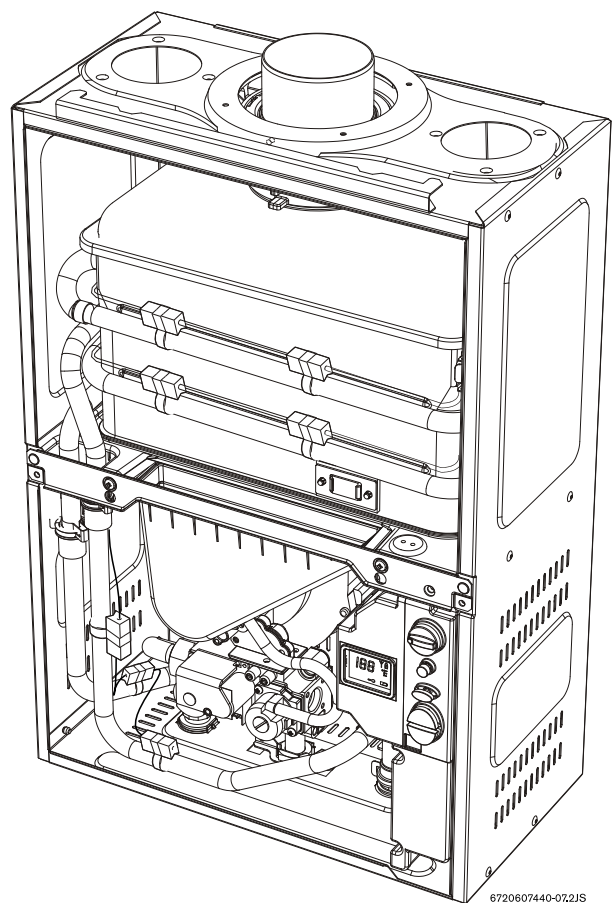
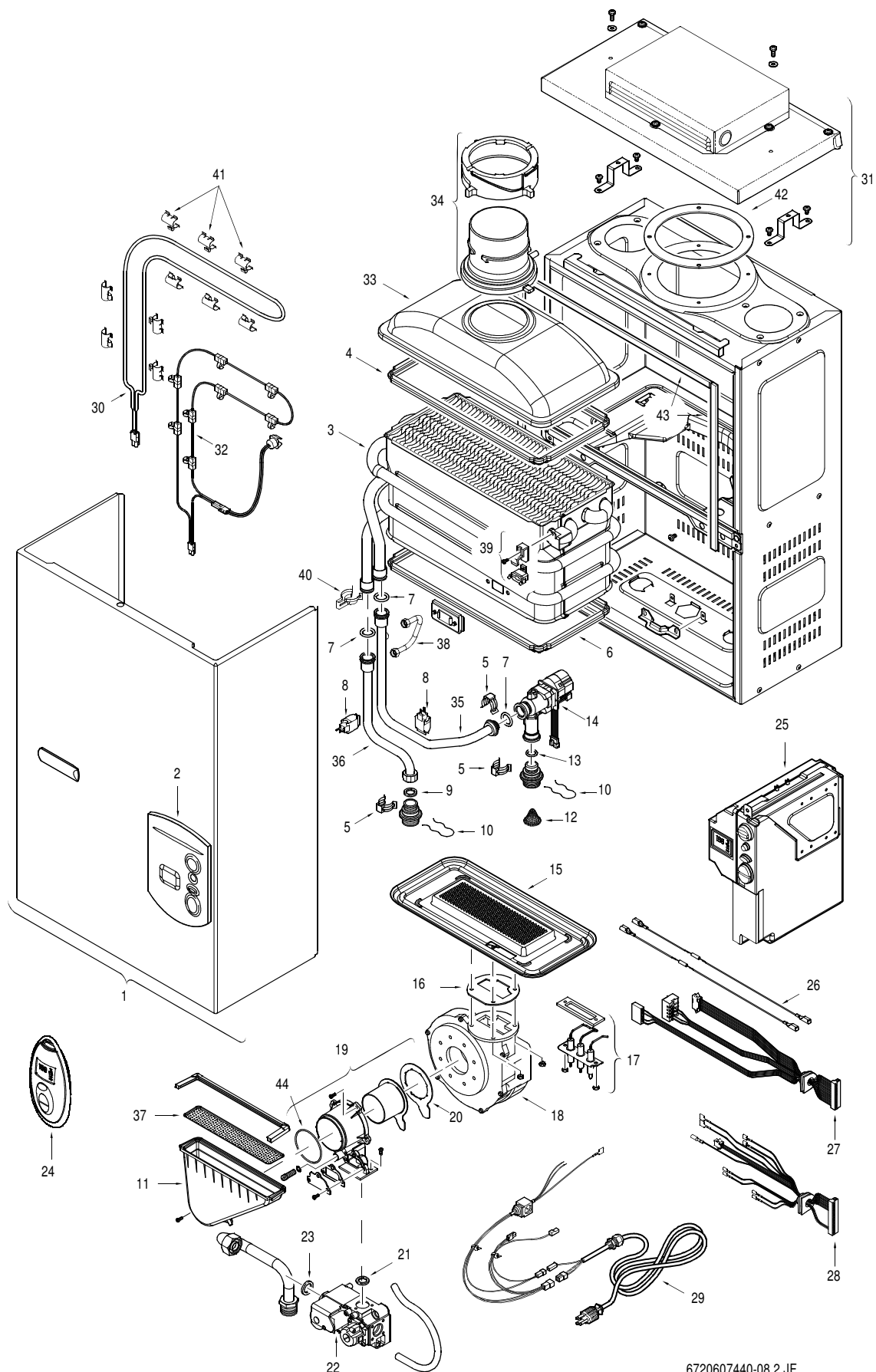


Fig. 33 Appliance overview

## 8.2 Components diagram



6720607440-08.2 JF

Fig. 34 Components Diagram

### 8.3 Parts list

Item	Description	Reference
1	Front cover	8 705 421 837
2	Shield	8 705 506 753
3	Heat exchanger	8 705 406 285
4	Heat exchanger top gasket	8 704 701 052
5	Clip	8 716 102 607
6	Heat exchanger bottom gasket	8 704 701 054
7	O-ring	8 700 205 147
8	Temperature sensor	8 700 400 015
9	Washer 1/2"	8 710 103 045
10	Wireform spring	8 714 606 002
11	Air inlet duct	8 705 700 097
12	Water filter	8 700 507 001
13	O-ring	8 700 205 134
14	Water valve with engine	8 708 505 016
15	Main burner	8 708 120 515
16	Fan / Burner gasket	8 704 701 050
17	Set of electrodes	8 708 107 020
18	Exhaust Fan	8 707 204 039
19	Gas / Air Mixer	8 705 700 115
20	Mixer / Fan gasket	8 704 701 059
21	Gas valve washer	8 704 701 062
22	Gas valve	8 707 021 019
23	Gas valve washer	8 700 103 014
24	Remote control	8 707 207 153
25	Control unit	8 707 207 133
26	Ignition cable	8 704 401 220
27	Cables / 24V	8 704 401 214
28	Cables	8 704 401 239
29	Power supply cord	8 704 401 287
30	Overheat cutoff fuse	8 700 400 019
31	Top vent cap	7 709 003 243
32	Freeze protection device	8 700 400 022
33	Flue gas collector	8 705 700 100
34	Flue gas collector collar	8 705 700 114
35	Cold water pipe	8 700 715 156
36	Hot water pipe	8 700 715 155
37	Air inlet screen	8 700 507 069
38	Crossover tube	8 700 715 247
39	Overheat sensor (ECO)	8 707 206 204
40	Clip - Heat exchanger	8 701 201 028
41	Clip - Over heat fuse	8 701 201 024
42	Gasket Exhaust	8 700 103 710
43	Gasket Set combustion Chamber	8 704 701 046
44	O-ring air duct	8 700 205 149

Table 6

## 9 Special adjustment for measuring and adjusting CO<sub>2</sub> levels

The CO<sub>2</sub> can only be adjusted by a certified gas technician with a calibrated CO<sub>2</sub> analyzer.



**Caution:** One factor that may affect CO<sub>2</sub> levels is improper gas pressure. Please see Chapter 2.9 for the procedure to measure gas pressure and record your findings below:

Static Gas Pressure:  " WC

P1 Operating Pressure:  " WC

The P1 minimum operating pressure is 5" WC for Natural Gas and 11"WC for Propane. Do not proceed in adjusting CO<sub>2</sub> until pressure has been verified to be at or above these levels, but not to exceed 14" WC.

### A. Once Pressure is good

- ▶ Turn ON/OFF switch to the OFF (O) position.
- ▶ Remove plug by prying with a small flathead screwdriver. Fig. 35
- ▶ Insert CO<sub>2</sub> analyzer probe into the measuring port on the front right of the vent cap at an angle. The tip of the probe should be inserted to the middle of the vent cap (approx 5" inserted).

**Note:** Vent cap must be in place in order to measure CO<sub>2</sub>.

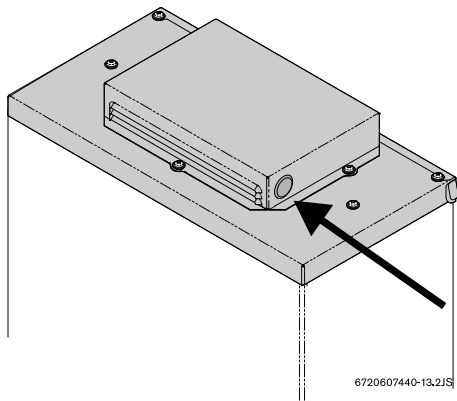


Fig. 35

- ▶ While holding the Program (M) button, move the ON/OFF switch to ON (I) position (see Fig. 36). As soon as '188' flashes on the display, release the Program button. The display should now read P2.

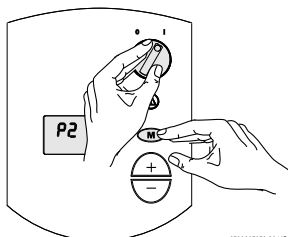


Fig. 36

### B. Measuring CO<sub>2</sub> (Cover Installed):

- ▶ Open hot water taps to achieve a flow rate of at least 4 gallons per minute. (1 tub and 2 sinks should be sufficient).
- ▶ Record the CO<sub>2</sub> reading in P2 below. (Analyzer reading may take several minutes to stabilize).
- ▶ Press the  $\Delta$  button until P1 appears. Unit will ramp up to high fire and the flow should increase.
- ▶ Record the CO<sub>2</sub> reading in P1 on the next page.

P2 CO<sub>2</sub> Reading:  % CO<sub>2</sub>

P1 CO<sub>2</sub> Reading:  % CO<sub>2</sub>

Compare your readings to those found in table 1 under the "With Front Cover" column. If CO<sub>2</sub> readings are off make adjustments as outlined below.

**Note:** The "Without Front Cover" column gives approximate values with the cover off to ease the adjustment process. Final readings should be taken with the cover on.

### C. Adjusting CO<sub>2</sub>:

**Note:** P1 adjustment will change the P2 reading. Confirm the P1 value BEFORE adjusting the P2 level.

1. P1 CO<sub>2</sub> level off:

- ▶ Loosen yellow painted Philips screw (1) and cover should rotate down (2) revealing a brass slotted screw. Fig. 37.
- ▶ Adjusting the slotted screw counter clockwise will raise P1 CO<sub>2</sub> levels and clockwise will lower P1 CO<sub>2</sub> levels. Adjustments to the slotted screw will also change P2 CO<sub>2</sub> levels.

2. P2 CO<sub>2</sub> level off:

- ▶ Remove yellow painted #40 Torx cover from the front of the gas valve. (Fig. 38 ) A plastic #40 Torx screw will be revealed.
- ▶ Adjusting the plastic #40 Torx screw counter clockwise will lower P2 CO<sub>2</sub> levels and clockwise will raise P2 CO<sub>2</sub> levels.

**Note:** These screw adjustment are very sensitive and may take several minutes to stabilize.

3. Verify both P1 and P2 are within the ranges specified in table 1 under the "With Front Cover" column. Repeat steps 1 and 2 as necessary until CO<sub>2</sub> values are within the specified ranges.

**D. Returning to Service:**

1. Return slotted cover to original position.
2. Reinstall Torx cover.
3. Remove CO<sub>2</sub> analyzer probe and reinstall plug in exhaust collar.
4. Turn ON/OFF switch to the OFF (O) position and then back to the ON (I) position.
5. Heater is ready for normal operation.

		Without Front Cover	With Front Cover
		<b>Nat. Gas</b>	<b>Nat. Gas</b>
<b>max. input</b>	P1	9.1 ± 0.1 %	9.7 ± 0.1 %
<b>min. input</b>	P2	9.4 ± 0.1 %	9.7 ± 0.1 %
		<b>LP Gas</b>	<b>LP Gas</b>
<b>max. input</b>	P1	10.1 ± 0.1 %	10.7 ± 0.1 %
<b>min. input</b>	P2	10.4 ± 0.1 %	10.7 ± 0.1 %

\* Final reading must be confirmed with the front cover on, CO<sub>2</sub> levels increase when the cover is installed.

Table 7

**Final Readings**

P2 CO<sub>2</sub> Reading:  % CO<sub>2</sub>

P1 CO<sub>2</sub> Reading:  % CO<sub>2</sub>

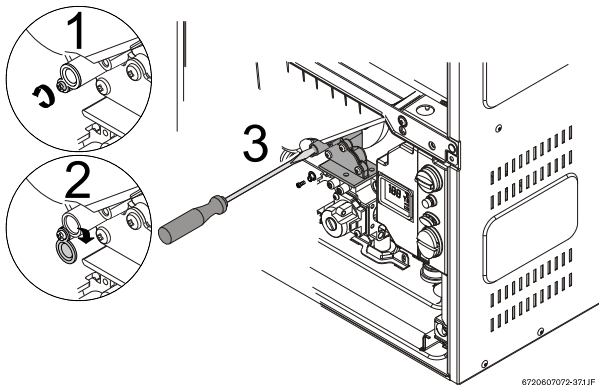


Fig. 37

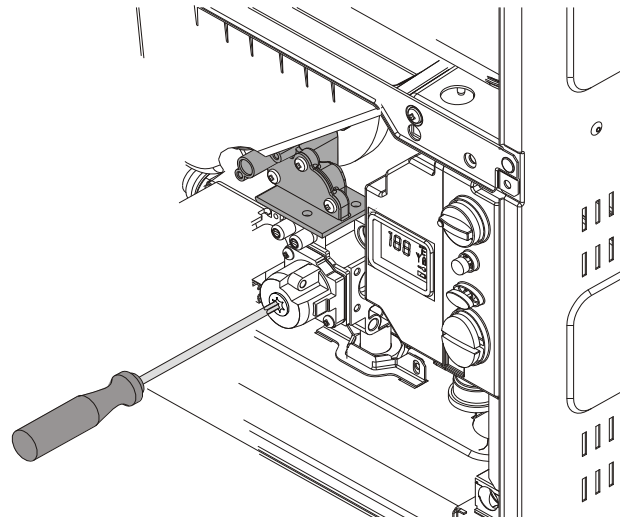



Fig. 38

---

## 10 Protecting the environment

### Packing

The packing box may be fully recycled as confirmed by the recycling symbol .

### Components

Many parts in the heater can be fully recycled in the end of the product life. Contact your city authorities for information about the disposal of recyclable products.

### Saving water resources:

- ▶ Make sure you close all the taps after any use. Avoid leaving the taps dripping. Repair any leaking tap.
- ▶ Whenever possible use taps with built-in water flow limiters. They will give you the same comfort level while saving water.
- ▶ Define the temperature you want, in the appliance or with the remote control. This way you have the precise water flow needed (mixing cold water to regulate temperature will increase the water flow with consequent waste of water).

**For increased safety shut off the appliance from the main water supply if you are staying away from home for a considerable time.**

**At below freezing temperatures, disconnect the plumbing connections to the heater and allow the heater to drain.**

**To prevent any freeze damage, introduce short bursts of compressed air (20-40 psi) through these connections to remove the residual water in the horizontal pipes and water valve.**

## 11 Fifteen Year Limited Warranty

### General

BOSCH PRO water heaters are warranted by the Manufacturer (BOSCH) through **BBT** North America. **BBT** North America (BBTNA) will furnish a replacement heat exchanger and will furnish a replacement of any other part which fails in normal use and service within the applicable periods specified below, in accordance with the terms of this warranty. The BBTNA replacement will be warranted for the unexpired portion of the original warranty. This warranty will be valid only for water heaters in possession of the original purchaser as recorded on the warranty card.

### The Heat Exchanger

If the heat exchanger fails within fifteen (15) years after the original installation and operation, BBTNA will furnish a replacement heat exchanger. However, if the water heater is installed in other than a single family dwelling, this heat exchanger warranty is limited to two (2) years from date of original installation and operation.

### Exceptions

This warranty will not apply:

- **1.** to defects or malfunctions resulting from failure to properly install, operate or maintain the unit in accordance with the printed instructions provided;
- **2.** to damage or abuse, accident, neglect or freezing and other acts of nature;
- **3.** to damage resulting from operation with either the flame sensor rod or overheat sensor removed;
- **4.** to failure of the heat exchanger resulting from the operation of the water heater in a corrosive atmosphere or at water temperatures exceeding the maximum rating, or if the water heater is not supplied with potable water;
- **5.** to defects or damage cause by any attachment or modification, including any energy-saving device.

### All Other Parts

If any other part fails within three (3) years after original installation and operation, BBTNA will furnish a replacement part free of charge.

### Shipping costs

In addition to supplying the replacement part(s), BBTNA will provide ground service delivery for these parts. Expedited or upgraded shipping will be charged to the customer.

### Service Labor Costs

This warranty does not cover any labor costs associated with service, removal or re-installation of part(s). All such costs must be borne by the Purchaser. Additionally, this warranty does not cover any labor costs associated with service, removal or re-installation

of the original water heater or a replaced water heater. Certain service labor allowances are available to PHCC member contractors, dependent on prior authorization by BBTNA.



NOTE: the water heater must be free of damaging scale deposits and not subject to gas pressures greater than those shown on the rating plate, which must not be altered, defaced or removed.

---

### How to Make a Claim

Any claim for warranty parts should be made by the original installer or service person to the local dealer, distributor or to BBTNA. If BBTNA, please contact the Technical Support Department:

**BBT NORTH AMERICA**  
Bosch Group  
340 Mad River Park  
Waitsfield, VT 05673  
Phone: 866-330-2730  
[www.boschpro.com](http://www.boschpro.com)

In most cases, the dealer or distributor will be able to promptly honor your claim and subsequently notify BBTNA. However, all replacements are made subject to validation by BBTNA of in-warranty coverage. The damaged or defective item must be made available in exchange for the replacement.

### Miscellaneous

No one is authorized to make any other warranties on behalf of BBTNA. It is expressly understood that the replacement warranty of BBTNA shall be in lieu of any and all other warranties, express or implied, including warranties of merchantability or fitness for a particular use or purpose, and further that BBTNA shall not be liable for any loss or damage directly or indirectly arising from the use of the hot water heater, or for any consequential damages arising from such use (including damages from water leakage). BBTNA sole liability with respect to any defect shall be for the replacement of the defective part(s). Some states do not allow such limitations and exclusions, so the above may not apply to you.

This warranty gives specific legal rights. You may also have other rights which vary from state to state.



## Installer Checklist, to be performed by installer upon installation

Serial Number

\_\_\_\_\_

(8 digit serial number is located on rating plate on right side panel)

Gas Pressure Reading\*

Static \_\_\_\_\_

Operating \_\_\_\_\_

Building Water Pressure

\_\_\_\_\_ Range if on Well system \_\_\_\_\_

Average Winter Temperature

\_\_\_\_\_

Average Summer Temperature

\_\_\_\_\_

Installing Company

\_\_\_\_\_

Installer name

\_\_\_\_\_

Address

\_\_\_\_\_

Phone

\_\_\_\_\_

\* See Chapter 2.9 and gas pressure table (to be filled out by installer)

Installation manual should be left with the owner after the installation is tested and completed

Replacement Parts available from:

**BBT NORTH AMERICA**  
Bosch Group

Bosch Water Heating  
340 Mad River Park  
Waitsfield, VT 05673  
Phone 866-330-2730  
Fax (802) 426-6924  
www.boschpro.com  
techsupport@boschpro.com

VULCANO Termodomésticos S.A.  
Estrada de Cacia  
3801 - 856 Aveiro - PORTUGAL