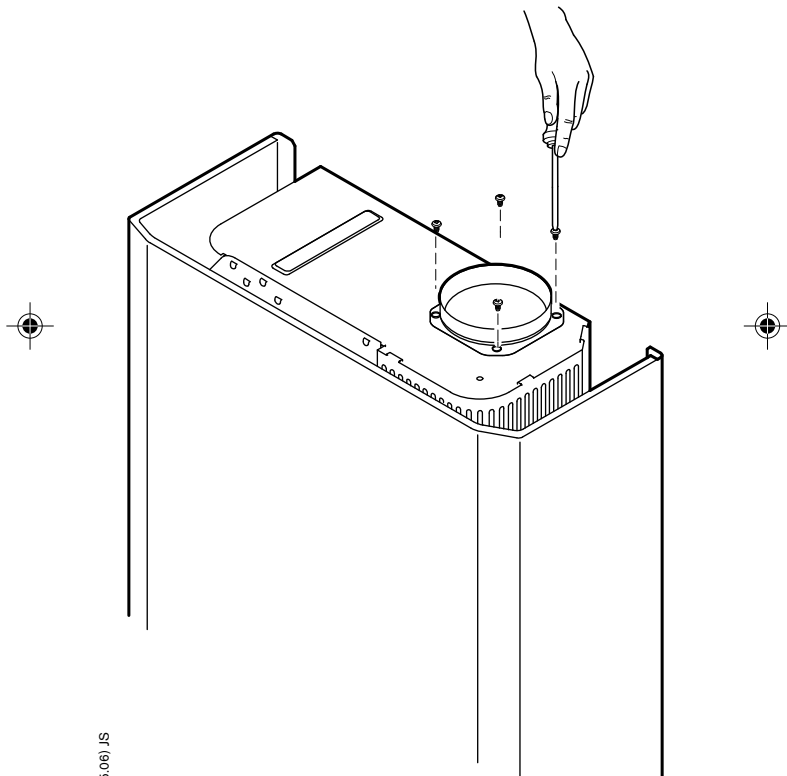




INSTALLING FLUE COLLAR

The supplied exhaust collar must be fitted to this heater before connecting the vent. Remove 4 screws from the top of the heater leaving the plate in place. Align the exhaust collar and tighten with the 4 screws.



6 720 607 771 (05.06) JS

6720606601-16,1JS

