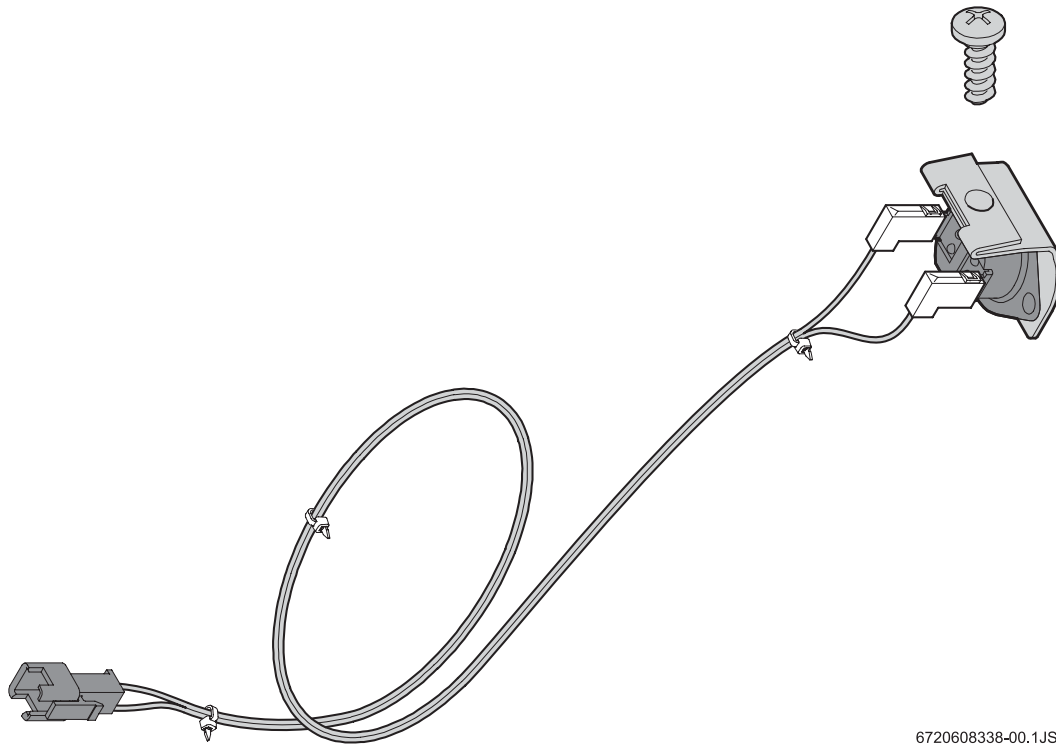


Temperature limiter sensor

Part number: 8 700 400 032



6720608338-00.1JS

Warning: This kit shall be installed by a qualified service agency in accordance with these instructions and all applicable codes and requirements of the authorities having jurisdiction.

Kit components:
Temperature sensor
Screw
Cable

1 Replacing overheat fuse with temperature limiter sensor

1.1 Disconnect/remove overheat fuse

- ▶ Turn power switch to the OFF (O) position and unplug the heater.
- ▶ Remove the front cover (instructions can be found in installation manual).
- ▶ Disconnect overheat fuse cable (Fig. 1, pos. 1).
- ▶ Cut the cable (Fig. 1, pos. 2).
- ▶ Remove the smaller section of cut cable and discard.

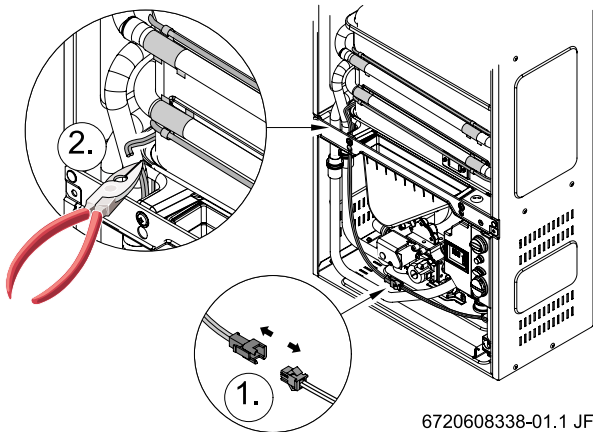


Fig. 1



The remainder of the overheat fuse should be left in place once cut and disconnected.

1.2 Connecting the temperature limiter sensor



Install the temperature limiter on the unused air inlet opening (Fig. 2, pos. 1).

- ▶ Remove the rear screw from the right air inlet hole.
- ▶ Place the temperature sensor as shown in Fig. 2, pos. 1.
- ▶ Attach the temperature sensor with the supplied screw through the rear hole (Fig. 2, pos. 1).
- ▶ Pass the connector cable through the silicone spacer (Fig. 2, pos. 2).
- ▶ Connect the temperature limiter cable connector (Fig. 2, pos. 3).
- ▶ Re-assemble the front cover and plug heater in.

- ▶ Turn power switch to the ON position (I) and return heater to service.

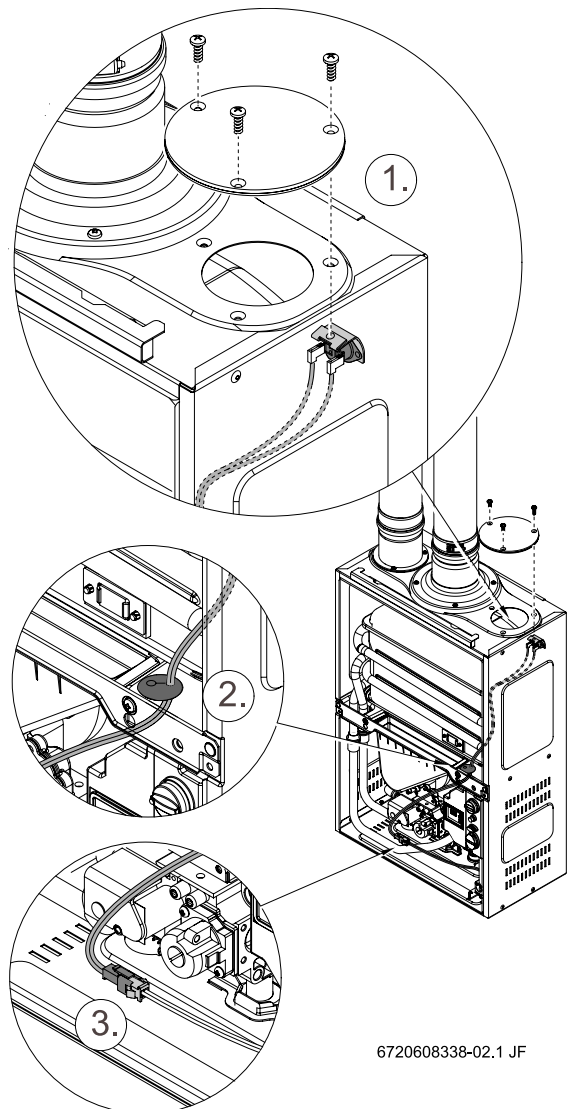


Fig. 2